



BRAMBLE

PRODUCT TEARSHEET



Linea Dining Chair

Shown in: **SNB SF204**

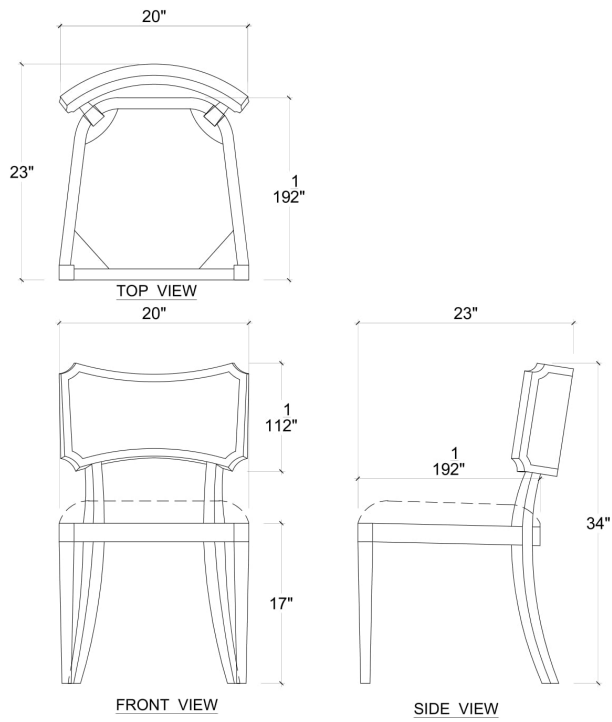
SKU: **28700**

Size: **20W x 23D x 34H in**

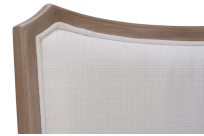


Overview

Linea Dining Chair



Visual Highlights





Technical Specification

Dimensions	20W x 23D x 34H in	CBM	0.19
Number of Packages	1	Cubic Feet	6.71 ft³
Package 1 Dimensions	21.7 x 24.4 x 36.6 in	Package 1 Weight	24.25 lbs
Package Weight Total	24.25 lbs	Net Weight	19.84 lbs

<https://www.brambleco.com/28700>
