

EST. *B* 1991

BRAMBLE

PRODUCT TEARSHEET



Colorado Dining Chair

Shown in: **WLT SF227**

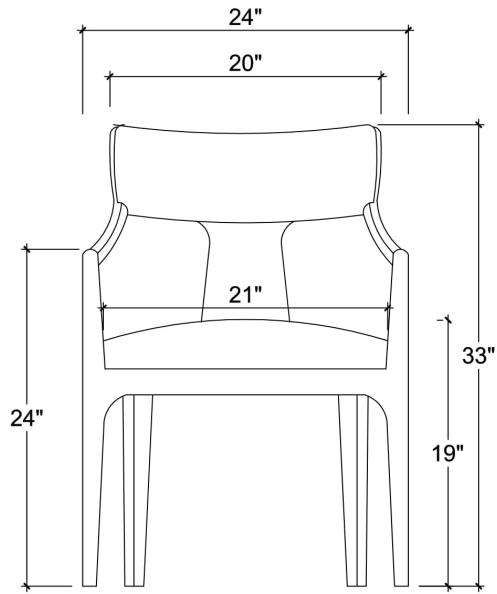
SKU: **28699**

Size: **24W x 23D x 33H in**

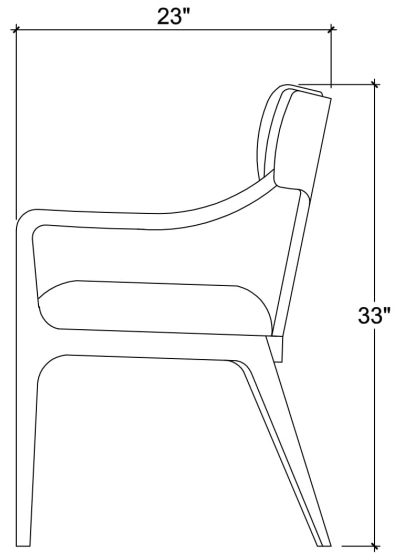


Overview

Colorado Dining Chair

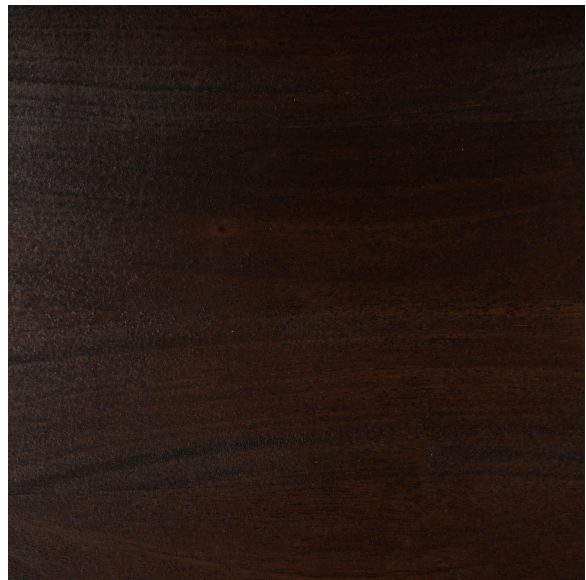


FRONT VIEW



SIDE VIEW

Visual Highlights





Technical Specification

Dimensions	24W x 23D x 33H in	CBM	0.29
Number of Packages	1	Cubic Feet	10.24 ft³
Package 1 Dimensions	25.2 x 24.4 x 36.2 in	Package 1 Weight	28.66 lbs
Package Weight Total	28.66 lbs	Net Weight	19.84 lbs

<https://www.brambleco.com/28699>
