



BRAMBLE

PRODUCT TEARSHEET



Chloe Set Of 3 Round Trays

Shown in: **VMG**

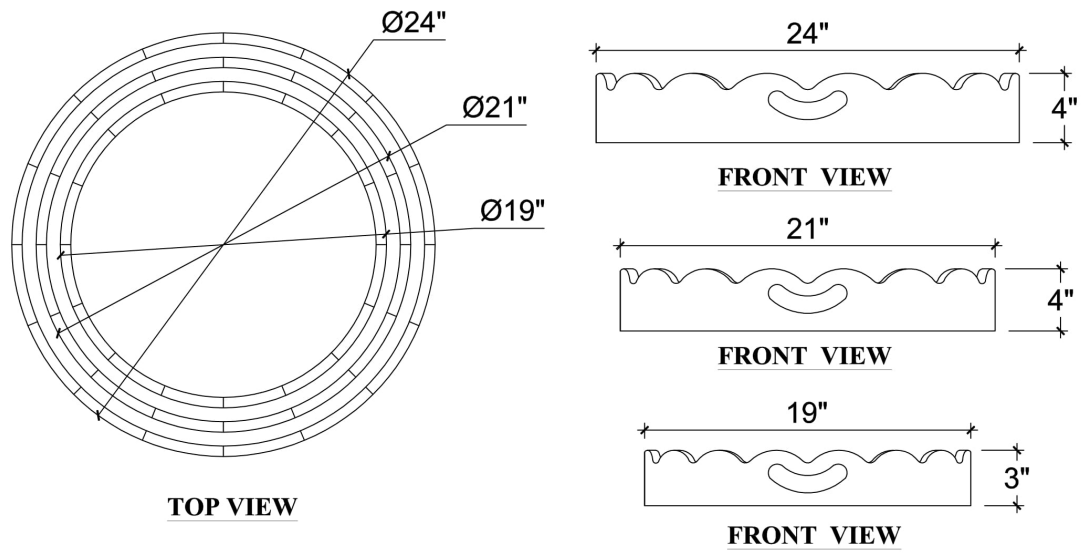
SKU: **28693**

Size: **24W x 24D x 4H in**



Overview

Chloe Set Of 3 Round Trays



Visual Highlights





Technical Specification

Dimensions	24W x 24D x 4H in	CBM	0.07
Number of Packages	1	Cubic Feet	2.47 ft³
Package 1 Dimensions	25.6 x 25.6 x 6.7 in	Package 1 Weight	33.07 lbs
Package Weight Total	33.07 lbs	Net Weight	28.66 lbs

<https://www.brambleco.com/28693>
