



BRAMBLE

PRODUCT TEARSHEET



# Chloe Set Of 3 Trays

---

Shown in: **SNB**

SKU: **28692**

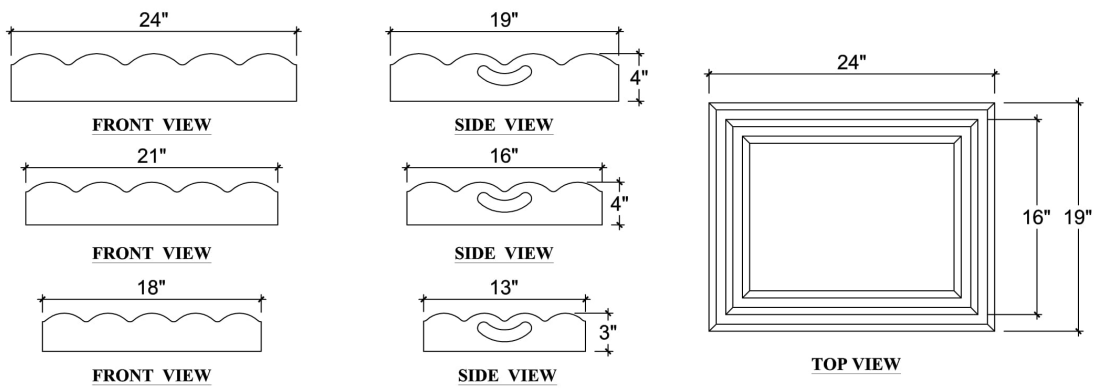
Size: **24W x 19D x 4H in**



# Overview

---

Chloe Set Of 3 Trays



## Visual Highlights

---



## Technical Specification

---

Dimensions	<b>24W x 19D x 4H in</b>	CBM	<b>0.06</b>
Number of Packages	<b>1</b>	Cubic Feet	<b>2.12 ft<sup>3</sup></b>
Package 1 Dimensions	<b>25.2 x 20.5 x 6.7 in</b>	Package 1 Weight	<b>30.86 lbs</b>
Package Weight Total	<b>30.86 lbs</b>	Net Weight	<b>26.46 lbs</b>

<https://www.brambleco.com/28692>

---