



BRAMBLE

PRODUCT TEARSHEET



Victoria Round Dining Table

Shown in: **AFD**

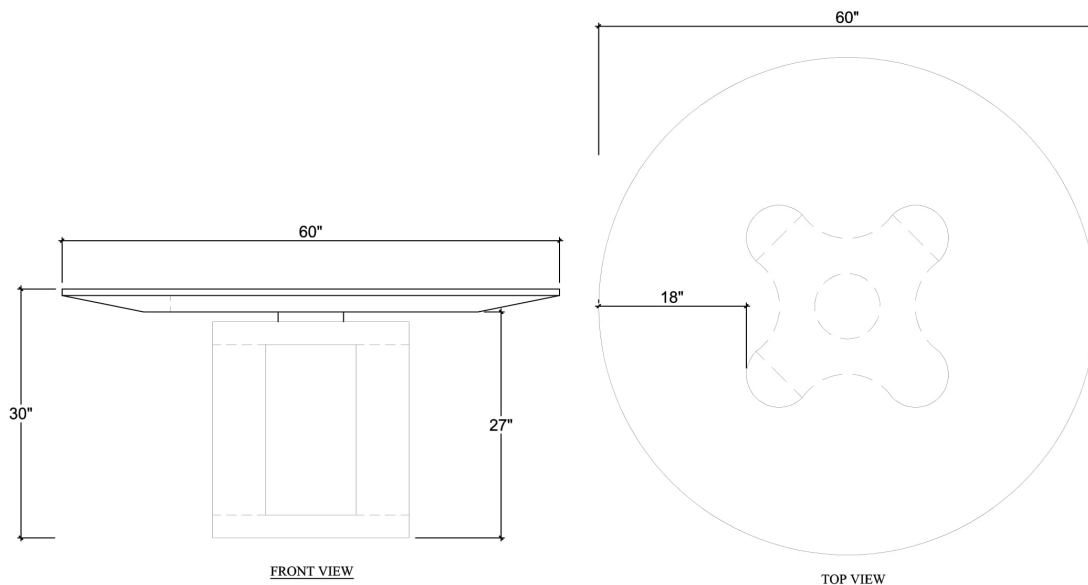
SKU: **28690**

Size: **60W x 60D x 30H in**



Overview

Victoria Dining Table



Visual Highlights





Technical Specification

Dimensions	60W x 60D x 30H in	CBM	0.69
Number of Packages	2	Cubic Feet	24.37 ft³
Package 1 Dimensions	61.8 x 61.8 x 5.5 in	Package 1 Weight	67.96 lbs
Package 2 Dimensions	25.8 x 25.8 x 31.9 in	Package 2 Weight	67.96 lbs
		Net Weight	119.05 lbs
Package Weight Total	134.48 lbs		

<https://www.brambleco.com/28690>
