



BRAMBLE

PRODUCT TEARSHEET



Luna Swivel Chair

Shown in: **SF212 WLT**

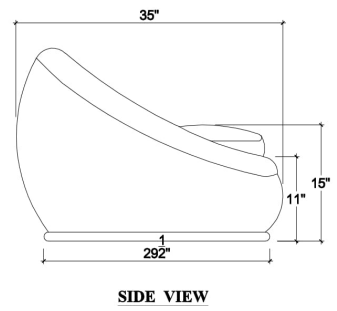
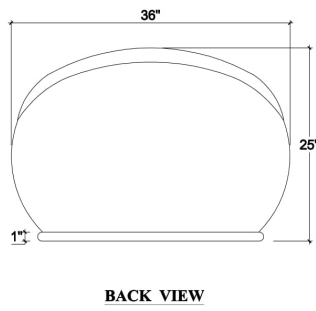
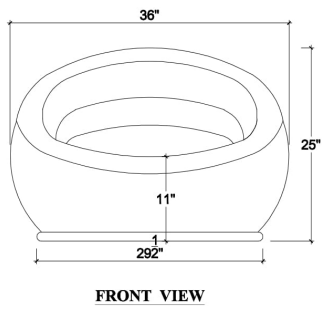
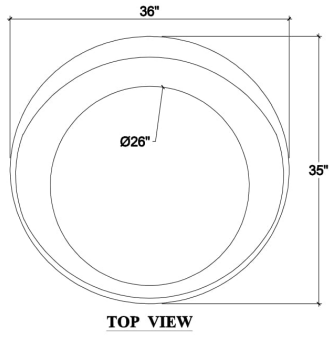
SKU: **28659**

Size: **37W x 35D x 25H in**

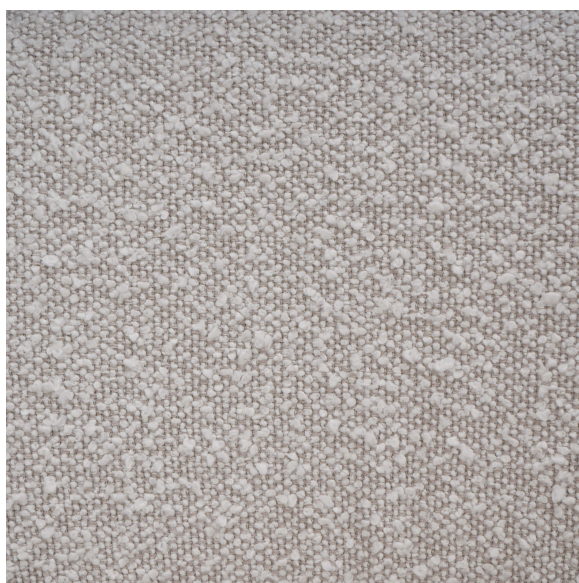


Overview

Luna Swivel Chair



Visual Highlights





Technical Specification

Dimensions	37W x 35D x 25H in	CBM	0.64
Number of Packages	1	Cubic Feet	22.6 ft³
Package 1 Dimensions	38.2 x 36.6 x 28 in	Package 1 Weight	119.05 lbs
Package Weight Total	119.05 lbs	Net Weight	105.82 lbs

<https://www.brambleco.com/28659>
