



BRAMBLE

PRODUCT TEARSHEET



# Genevieve Dining Chair

---

Shown in: **WLT SF212**

SKU: **28467**

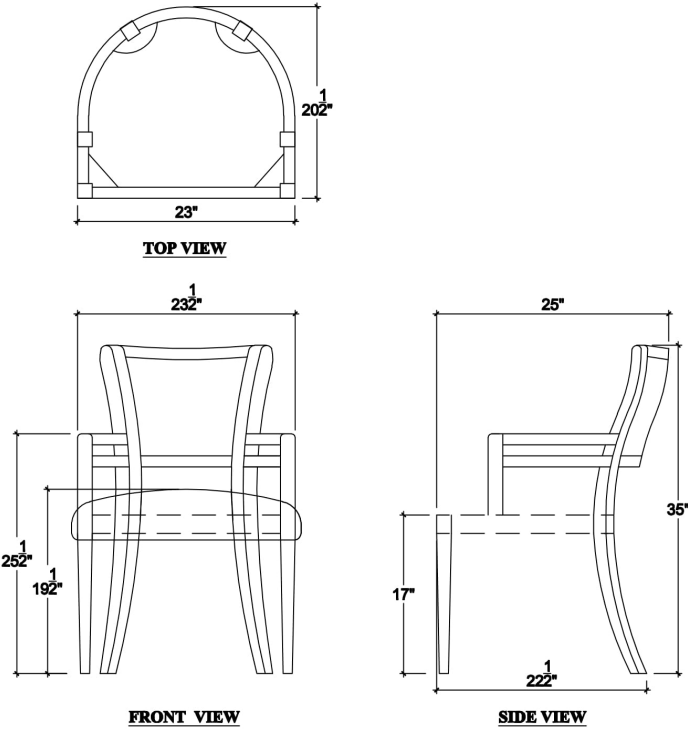
Size: **23W x 25D x 35H in**



# Overview

---

Genevieve Dining Chair



## Visual Highlights

---





## Technical Specification

---

Dimensions	<b>23W x 25D x 35H in</b>	CBM	<b>0.3290112</b>
Number of Packages	<b>1</b>	Cubic Feet	<b>11.62 ft<sup>3</sup></b>
Package 1 Dimensions	<b>24.8 x 26.8 x 37.8 in</b>	Package 1 Weight	<b>33.07 lbs</b>
Package Weight Total	<b>33.07 lbs</b>	Net Weight	<b>26.46 lbs</b>

<https://www.brambleco.com/28467>

---