



BRAMBLE

PRODUCT TEARSHEET



Kraton 1 Drawer Side table

Shown in: **DRW**

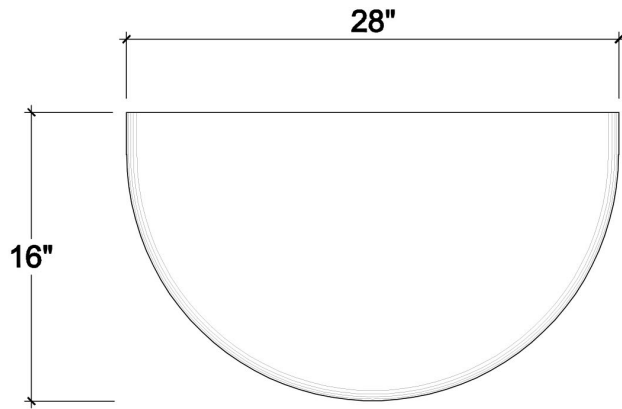
SKU: **28261**

Size: **28W x 16D x 30H in**

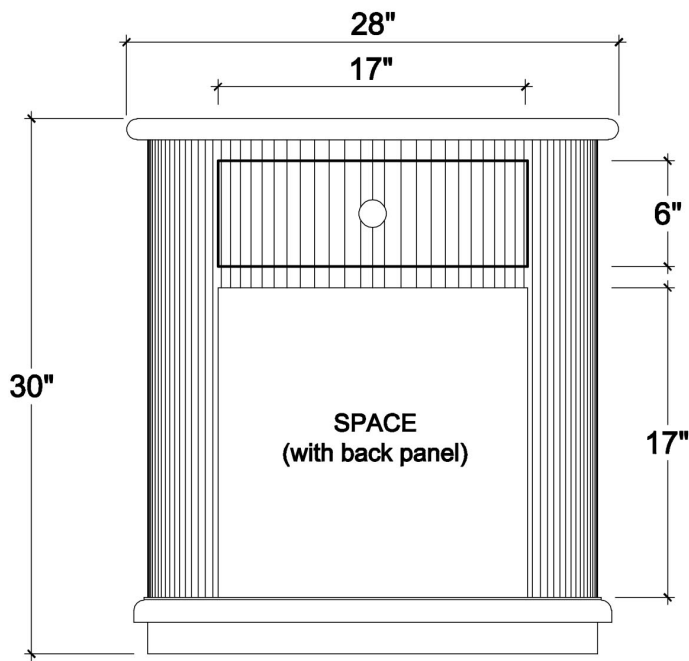


Overview

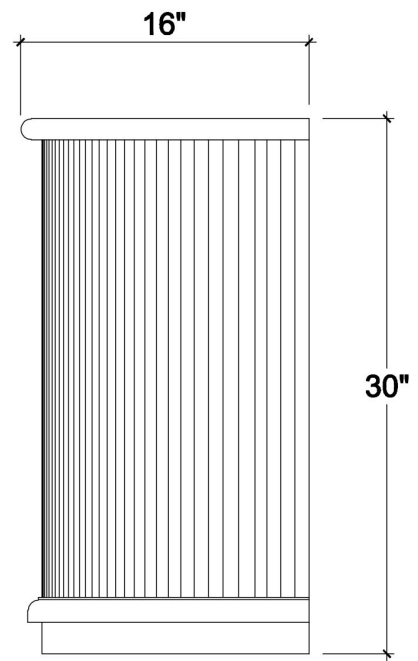
Kraton 1 Drawer Side table



TOP VIEW

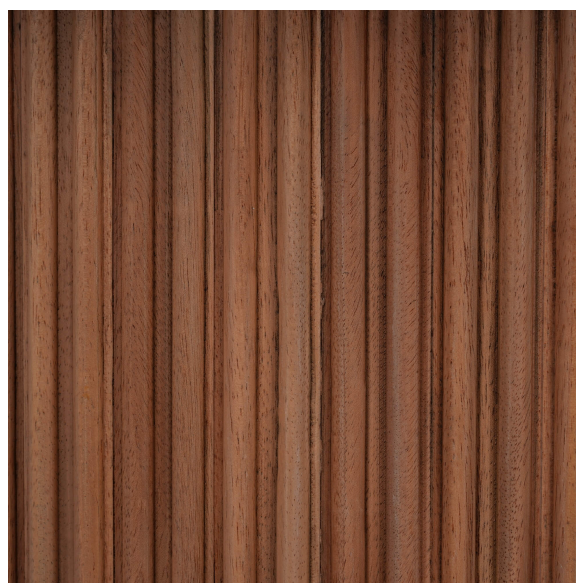


FRONT VIEW



SIDE VIEW

Visual Highlights





Technical Specification

Dimensions	28W x 16D x 30H in	CBM	0.27639
Number of Packages	1	Cubic Feet	9.76 ft³
Package 1 Dimensions	29.1 x 17.7 x 32.7 in	Net Weight	66.14 lbs
Package Weight Total	72.75 lbs		

<https://www.brambleco.com/28261>
