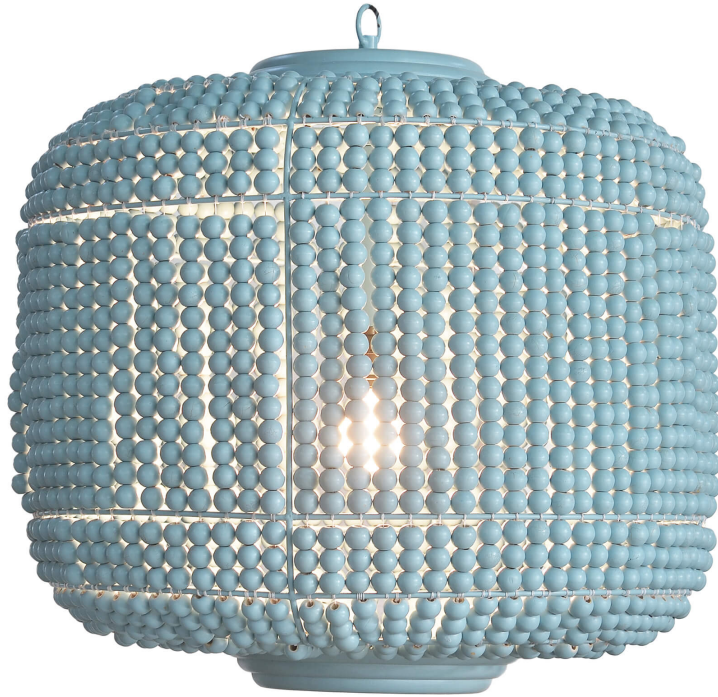


EST. *B* 1991

BRAMBLE

PRODUCT TEARSHEET



Gracie Pendant

Shown in: **OPB**

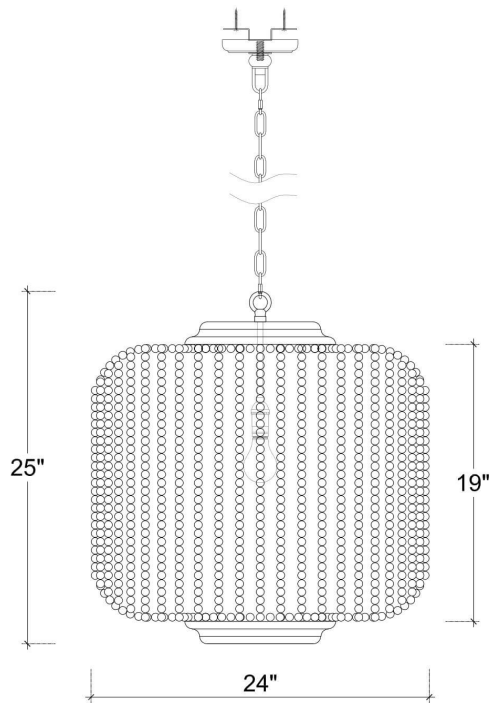
SKU: **28071**

Size: **24W x 24D x 25H in**

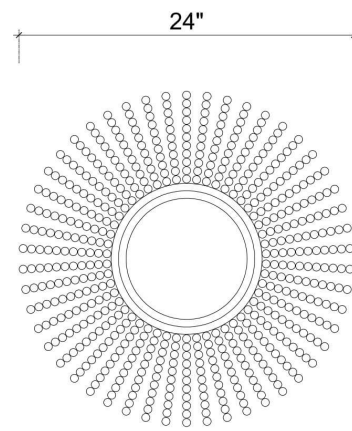


Overview

Gracie Pendant

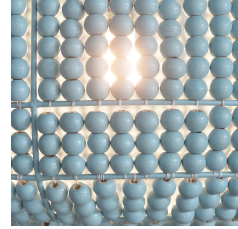


FRONT VIEW



SIDE VIEW

Visual Highlights



Technical Specification

Dimensions	24W x 24D x 25H in	CBM	0.28672
Number of Packages	1	Cubic Feet	10.13 ft³
Package 1 Dimensions	25.2 x 25.2 x 27.6 in	Package 1 Weight	39.68 lbs
Package Weight Total	39.68 lbs	Net Weight	33.07 lbs

Material	Steel frame with wooden beads
Bulb Type	E26
Bulb Wattage	60W
No of Lights	1
Cable Length	90.55
Chain Length	72.05

<https://www.brambleco.com/28071>
