



BRAMBLE

PRODUCT TEARSHEET



# Mandolin Dining Table w/ Solid Hardwood Top

---

Shown in: **BBA**

SKU: **27988**

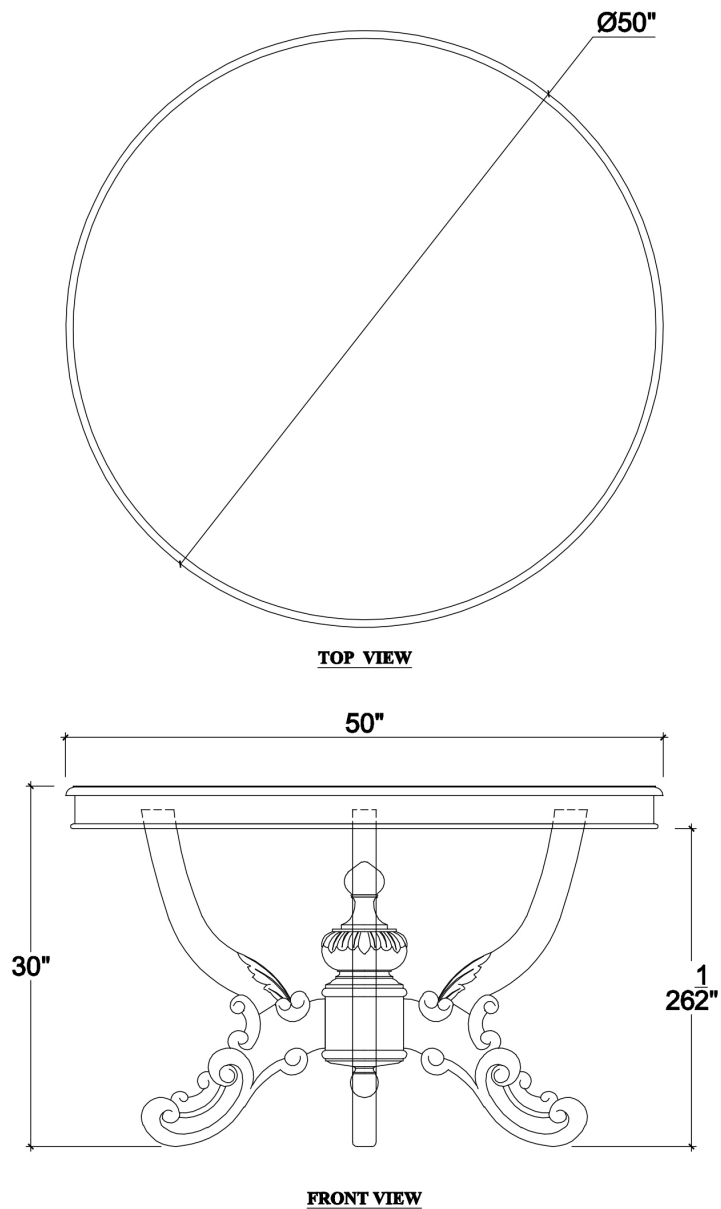
Size: **50W x 50D x 30H in**



## Overview

---

Mandolin Dining Table w/ Solid Hardwood Top



## **Visual Highlights**

---

## Technical Specification

---

Dimensions	<b>50W x 50D x 30H in</b>	CBM	<b>1.019512</b>
Number of Packages	<b>2</b>	Cubic Feet	<b>36 ft<sup>3</sup></b>
Package 1 Dimensions	<b>51.2 x 51.2 x 6.3 in</b>	Net Weight	<b>125.66 lbs</b>
Package 2 Dimensions	<b>38.6 x 38.6 x 30.7 in</b>		
Package Weight Total	<b>136.69 lbs</b>		
Material	<b>Mahogany</b>		

<https://www.brambleco.com/27988>

---