



BRAMBLE

PRODUCT TEARSHEET



Cohan Round Coffee Table w/ Rattan

Shown in: **FRW RNAT**

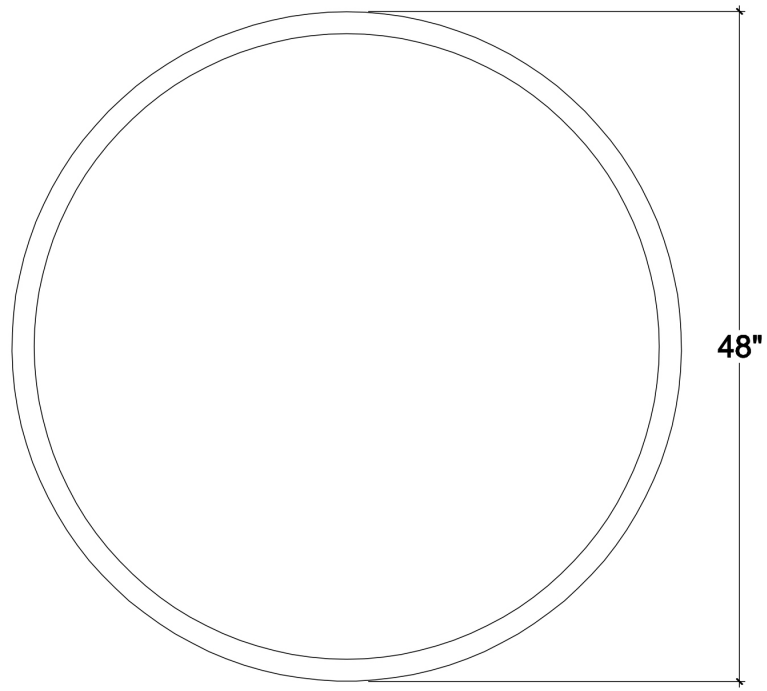
SKU: **27968**

Size: **48W x 48D x 18H in**

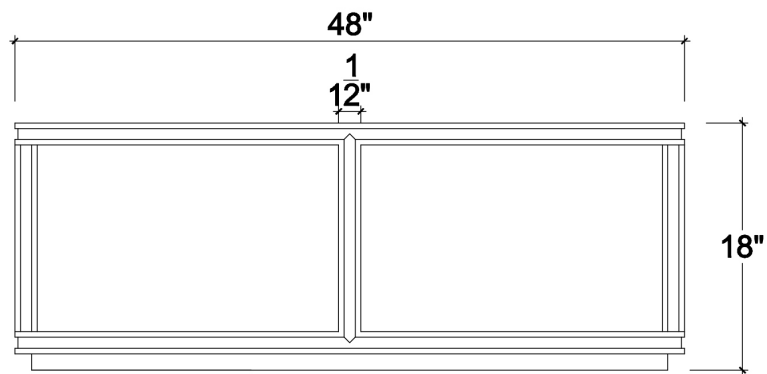


Overview

Cohan Mahogany Round Coffee Table w/ Rattan



TOP VIEW



FRONT VIEW

Visual Highlights



Technical Specification

Dimensions	48W x 48D x 18H in	CBM	0.825552
Number of Packages	1	Cubic Feet	29.15 ft³
Package 1 Dimensions	48.8 x 48.8 x 22.4 in	Net Weight	119.05 lbs
Package Weight Total 130.07 lbs			
Material	Mahogany		

<https://www.brambleco.com/27968>
