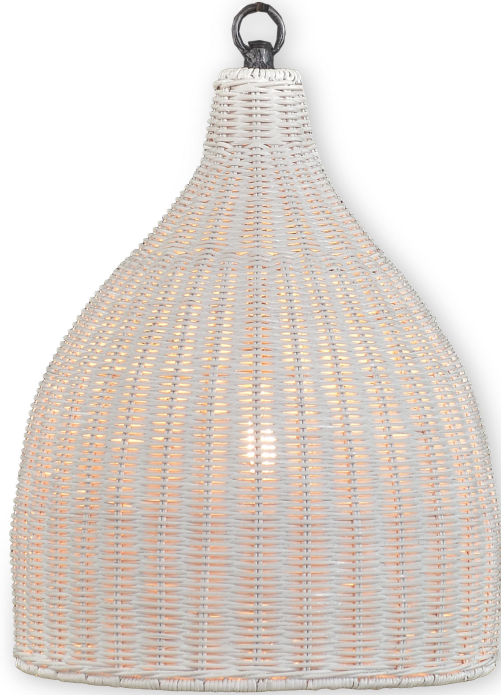




BRAMBLE

PRODUCT TEARSHEET



# Hampton Rattan Pendant Small

---

Shown in: **WHD**

SKU: **27798**

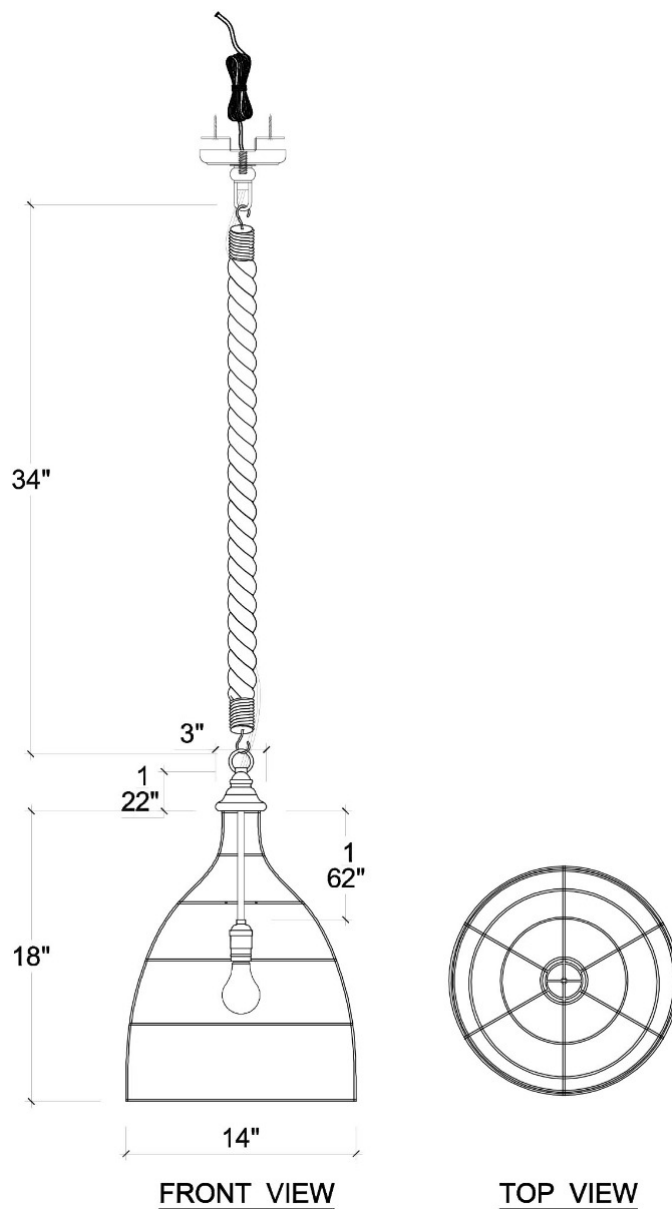
Size: **14W x 14D x 18H in**



## Overview

---

Hampton Rattan Pendant Small



## Visual Highlights

---



## Technical Specification

---

Dimensions	<b>14W x 14D x 18H in</b>	CBM	<b>0.0928</b>
Number of Packages	<b>1</b>	Cubic Feet	<b>3.28 ft<sup>3</sup></b>
Package 1 Dimensions	<b>7.1 x 7.1 x 20.9 in</b>	Package 1 Weight	<b>3.31 lbs</b>
Package Weight Total	<b>3.31 lbs</b>	Net Weight	<b>2.2 lbs</b>

Material	<b>Rattan</b>
Bulb Type	<b>E26</b>
Bulb Wattage	<b>60W</b>
No of Lights	<b>1</b>
Rope Length	<b>26.77</b>

<https://www.brambleco.com/27798>

---