



BRAMBLE

PRODUCT TEARSHEET



Monarch Counter Stool w/ Rattan Back

Shown in: **FRW SF204 RNAT**

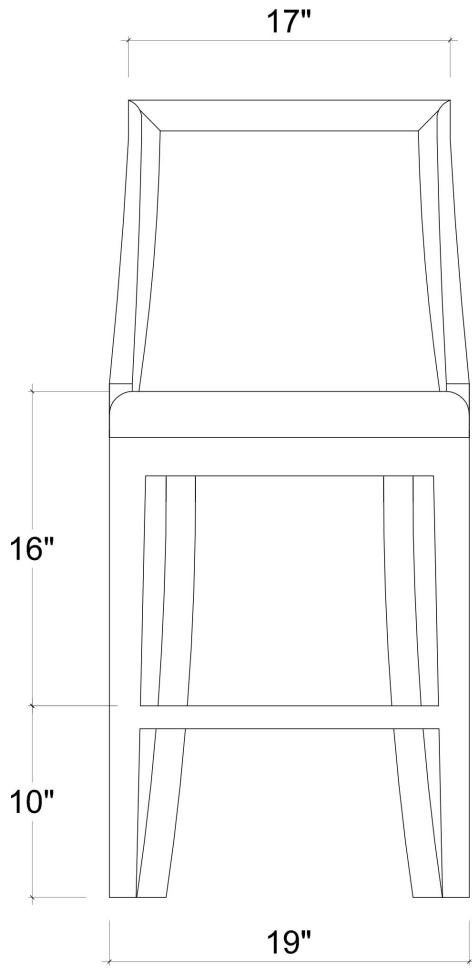
SKU: **27776**

Size: **19W x 23D x 41H in**

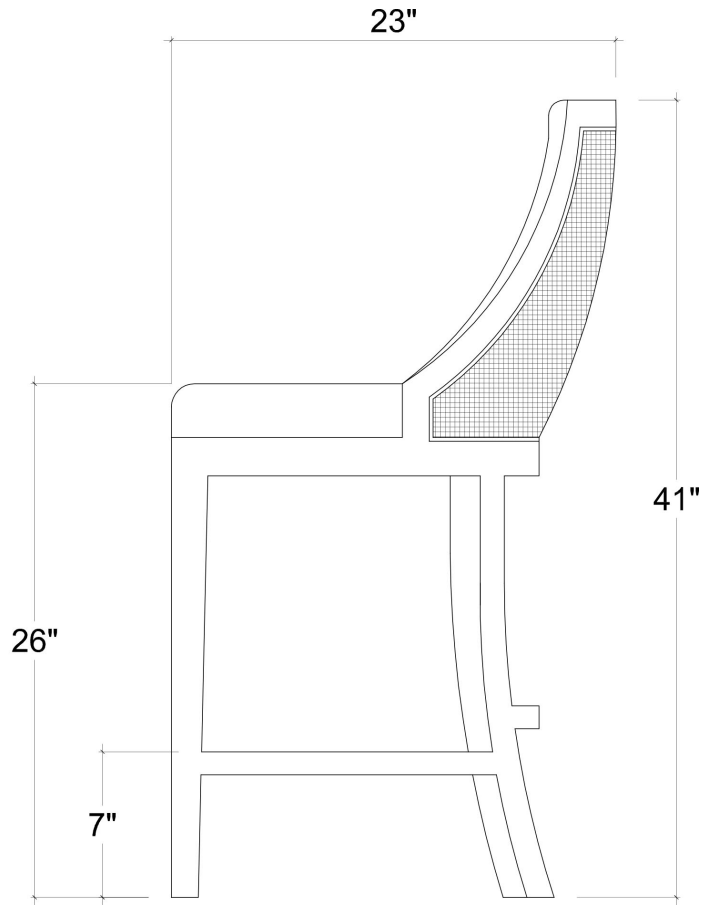


Overview

Monarch Counter Stool w/ Rattan Back

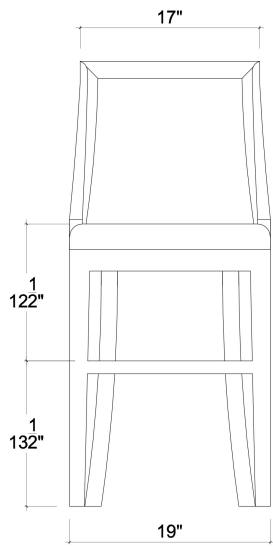


FRONT VIEW

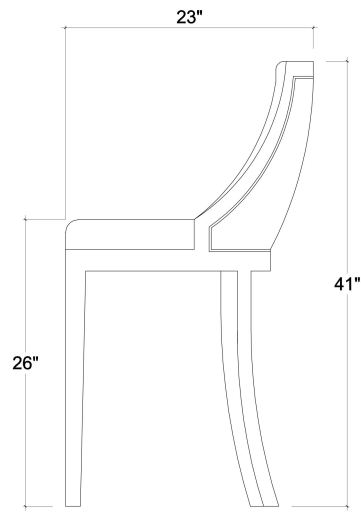


SIDE VIEW

Visual Highlights



FRONT VIEW



SIDE VIEW



Technical Specification

Dimensions	19W x 23D x 41H in	CBM	0.2807856
Number of Packages	1	Cubic Feet	9.92 ft³
Package 1 Dimensions	20.1 x 24.4 x 43.7 in	Package 1 Weight	37.48 lbs
Package Weight Total	37.48 lbs	Net Weight	30.86 lbs
Material	Mahogany, plywood, Rattan, Upholstery		

<https://www.brambleco.com/27776>
