



BRAMBLE

PRODUCT TEARSHEET



# Monarch Rattan Back Dining Chair

---

Shown in: **BBA SF202 RBWS**

SKU: **27775**

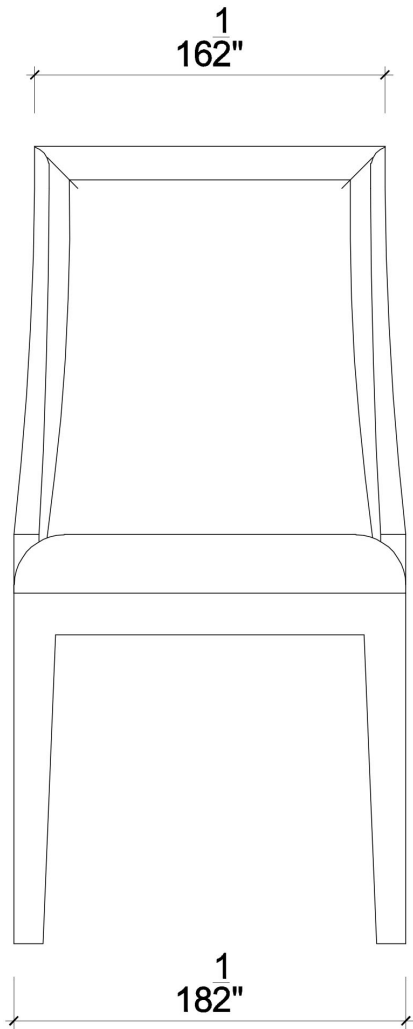
Size: **19W x 25D x 38H in**



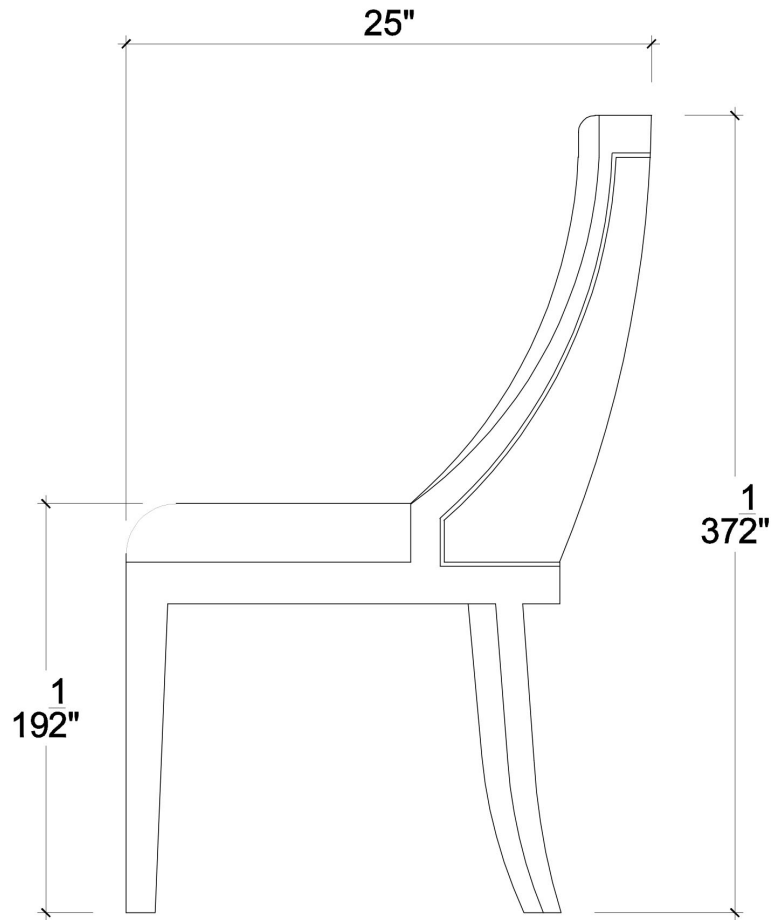
## Overview

---

Monarch Rattan Back Dining Chair



FRONT VIEW



SIDE VIEW

## Visual Highlights

---



## Technical Specification

---

Dimensions	<b>19W x 25D x 38H in</b>	CBM	<b>0.2111706</b>
Number of Packages	<b>1</b>	Cubic Feet	<b>7.46 ft<sup>3</sup></b>
Package 1 Dimensions	<b>20.1 x 26.4 x 41.3 in</b>	Package 1 Weight	<b>52.91 lbs</b>
Package Weight Total	<b>52.91 lbs</b>	Net Weight	<b>46.3 lbs</b>
Material	<b>Mahogany, plywood, Rattan, Upholstery</b>		

<https://www.brambleco.com/27775>

---