



BRAMBLE

PRODUCT TEARSHEET



Indigo Counter Stool

Shown in: **SWH DRW**

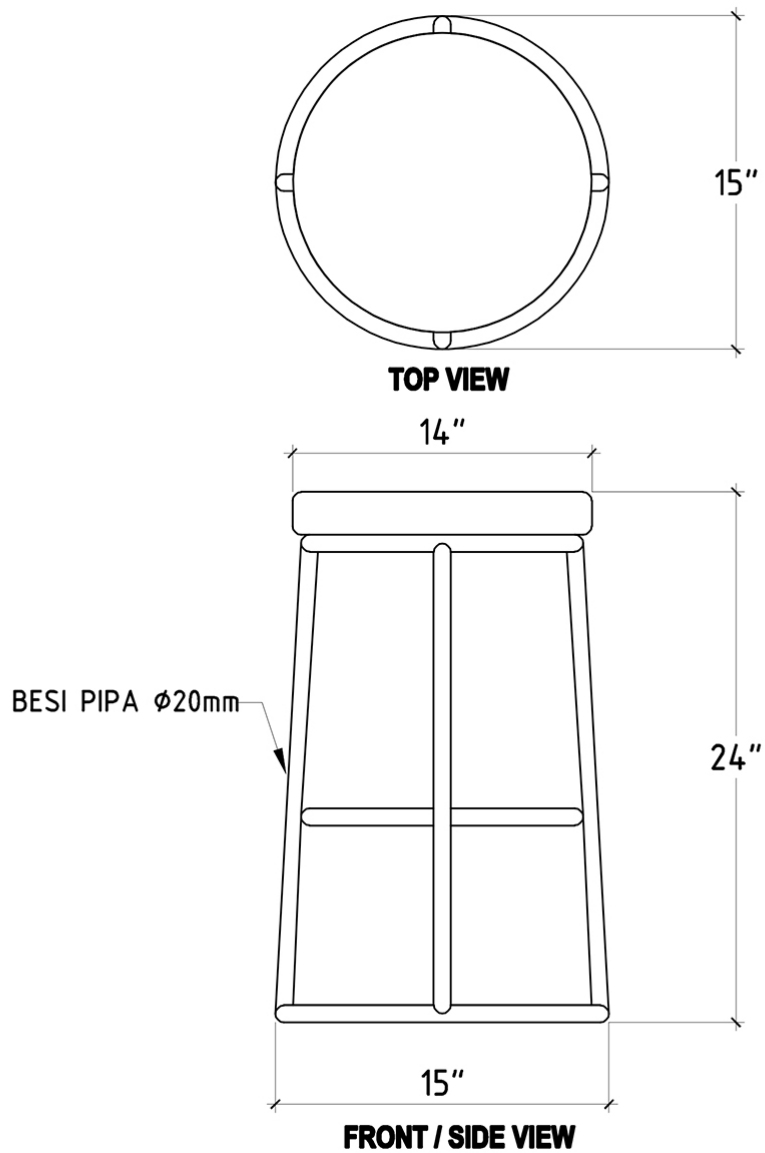
SKU: **26165**

Size: **15W x 15D x 25H in**



Overview

Bring a hint of industrial style with the distinctive Indigo Counter Stool. Crafted in mahogany, this stool features a backless seat with a round, open base with a circular footrest for added comfort. This piece is offered with a vast array of finish and distress options to create a truly custom design.



Visual Highlights



Technical Specification

Dimensions	15W x 15D x 25H in	CBM	0.12943
Number of Packages	1	Cubic Feet	4.57 ft³
Package 1 Dimensions	18.5 x 18.5 x 30.3 in	Package 1 Weight	28.66 lbs
Package Weight Total	28.66 lbs	Net Weight	17.64 lbs
Material	Rubber Wood, Steel	Best Seller	

<https://www.brambleco.com/26165>
