



BRAMBLE

PRODUCT TEARSHEET



# Creole End Table

---

Shown in: **BHD**

SKU: **25155**

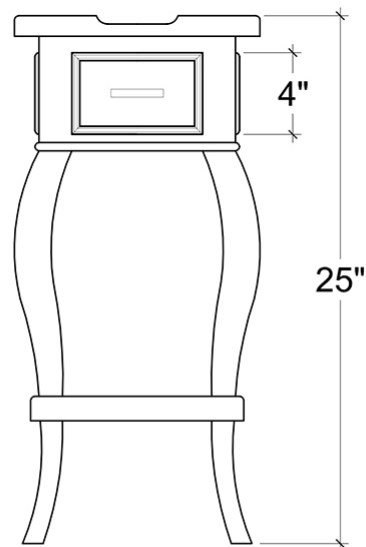
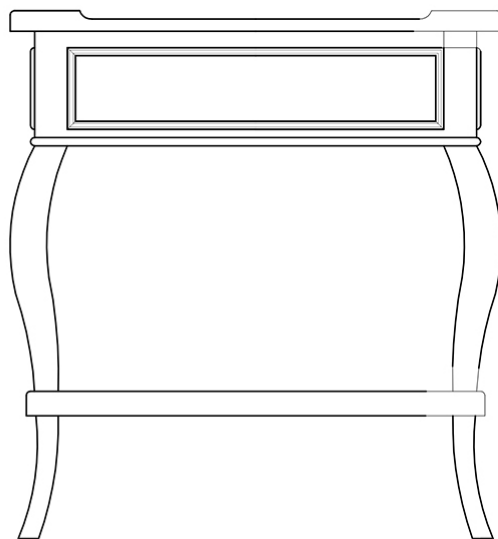
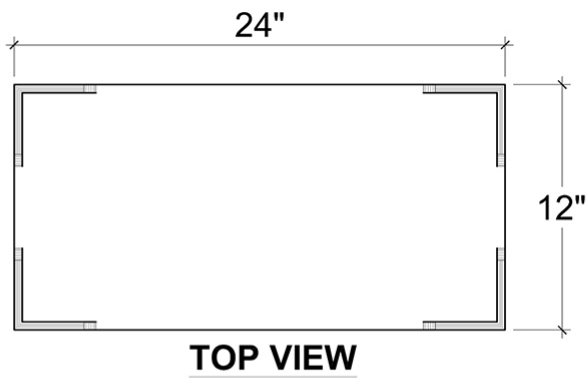
Size: **24W x 12D x 26H in**



## Overview

---

Inspired by classic French designs, the Creole End Table is a curvy, appealing addition to any living room. Built from solid mahogany, this table boasts cabriole-inspired legs with a drawer and lower shelf for added versatility. This piece is offered with a vast array of finish and distress options to create a truly custom design.



## Visual Highlights

---



## Technical Specification

---

Dimensions	<b>24W x 12D x 26H in</b>	CBM	<b>0.156672</b>
Number of Packages	<b>1</b>	Cubic Feet	<b>5.53 ft<sup>3</sup></b>
Package 1 Dimensions	<b>26.8 x 15 x 31.1 in</b>	Package 1 Weight	<b>25.35 lbs</b>
Package Weight Total	<b>25.35 lbs</b>	Net Weight	<b>19.84 lbs</b>
Material	<b>Mahogany</b>		

<https://www.brambleco.com/25155>

---