



BRAMBLE

PRODUCT TEARSHEET



Eton 3 Drawer End Table

Shown in: **WHD**

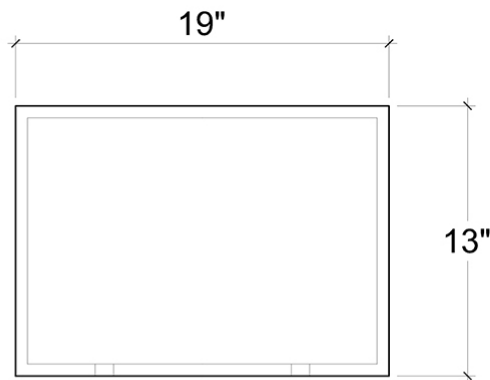
SKU: **23874**

Size: **19W x 13D x 26H in**

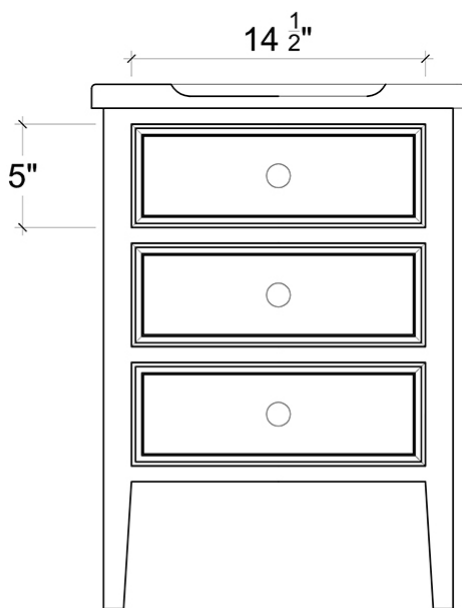


Overview

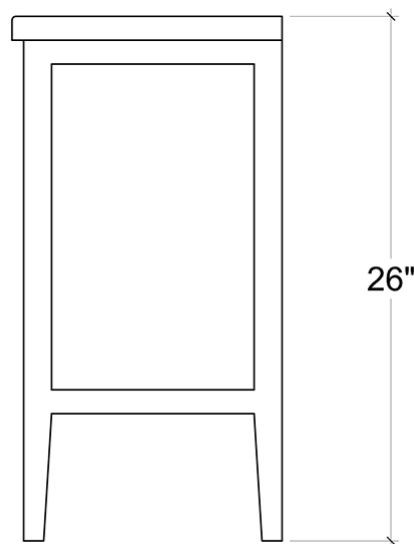
Complement a sofa or armchair with the spacious storage of the Eton 3-Drawer Chest. Perfect for any room, this chest features clean lines and simple style, with solid mahogany construction and dovetail drawers. This piece is offered with a vast array of finish and distress options to create a truly custom design.



TOP VIEW



FRONT VIEW



SIDE VIEW

Visual Highlights



Technical Specification

Dimensions	19W x 13D x 26H in	CBM	0.137751
Number of Packages	1	Cubic Feet	4.86 ft³
Package 1 Dimensions	21.7 x 16.1 x 31.5 in	Package 1 Weight	30.86 lbs
Package Weight Total	30.86 lbs	Net Weight	22.05 lbs
Material	Mahogany	Best Seller	

<https://www.brambleco.com/23874>
