



BRAMBLE

PRODUCT TEARSHEET



# Console Desk w/ Barley Twist Leg

---

Shown in: **CCA**

SKU: **23583**

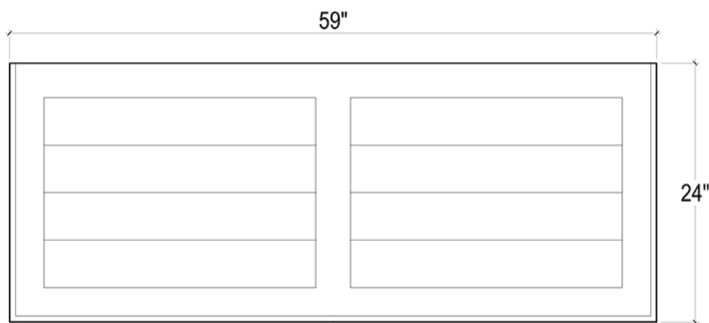
Size: **59W x 24D x 31H in**



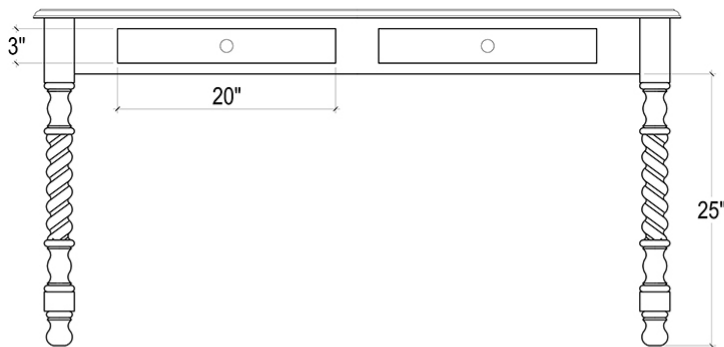
## Overview

---

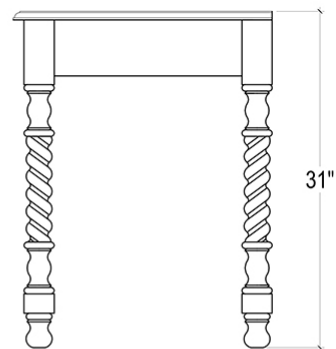
Augment any room's atmosphere with this stunning Console Desk with Barley Twist Legs. Designed with dovetail drawers and crafted from mahogany wood, this wonderful desk is sure to please. Its Barley Twist leg styling is perfect for adding rustic elegance anywhere in the house. This piece is offered with a vast array of finish and distress options to create a truly custom design.



TOP VIEW



FRONT VIEW



SIDE VIEW

## Visual Highlights

---





## Technical Specification

---

Dimensions	<b>59W x 24D x 31H in</b>	CBM	<b>0.236544</b>
Number of Packages	<b>1</b>	Cubic Feet	<b>8.35 ft<sup>3</sup></b>
Package 1 Dimensions	<b>62.2 x 26.8 x 12.2 in</b>	Package 1 Weight	<b>68.34 lbs</b>
Package Weight Total	<b>68.34 lbs</b>	Net Weight	<b>56.22 lbs</b>
Material	<b>Mahogany</b>	<b>Best Seller</b>	

<https://www.brambleco.com/23583>

---