

EST. *B* 1991

BRAMBLE

PRODUCT TEARSHEET



# Lazy Footstool

---

Shown in: **CCA FBDL**

SKU: **10860**

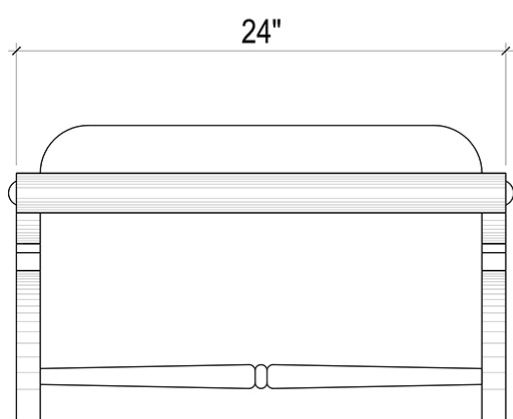
Size: **25W x 19D x 12H in**



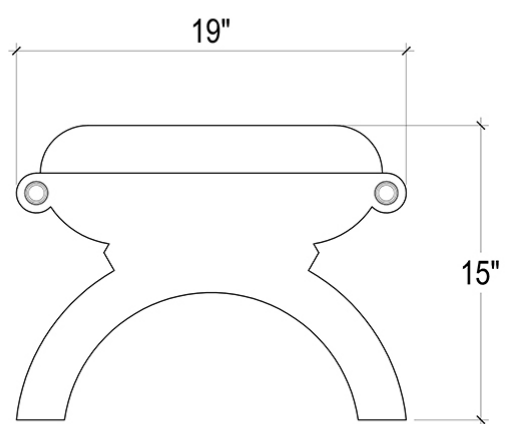
## Overview

---

Lazy Footstool



FRONT VIEW



SIDE VIEW

## Visual Highlights

---



## Technical Specification

---

Dimensions	<b>25W x 19D x 12H in</b>	CBM	<b>0.133348</b>
Number of Packages	<b>1</b>	Cubic Feet	<b>4.71 ft<sup>3</sup></b>
Package 1 Dimensions	<b>28.3 x 22.4 x 17.3 in</b>	Package 1 Weight	<b>19.84 lbs</b>
Package Weight Total	<b>19.84 lbs</b>	Net Weight	<b>17.64 lbs</b>
Material	<b>Mahogany</b>		

<https://www.brambleco.com/10860>

---