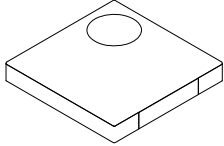
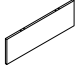



ASSEMBLY INSTRUCTION FOR ACME FURNITURE

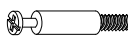


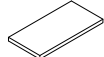
MODEL# LV03070 Coffee Table

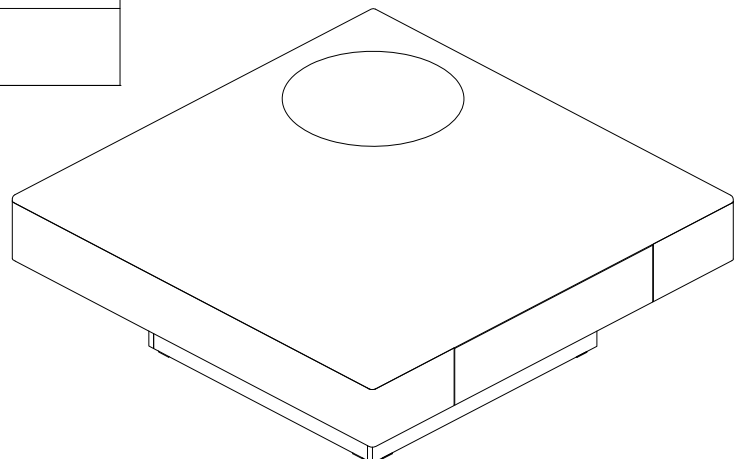
Thank you for purchasing this quality product. Be sure to check all packing materials carefully for small parts which may have come loose inside the carton during shipment. Separate, identify, and count all parts and metal hardware. Compare with parts list to be sure all parts are present. If any part(s) are missing or damaged, please contact your local furniture dealer. For efficient and speedy service, please indicate the model number and code letter of the part(s) needed.

***** Do not fully tighten screws until fully assembled *****

COMPONENT PARTS		
DECERPTION	PART NAME	Q'TY(PCS)
①	Table Top 	1pc
②	Table Support Board #2 	2pcs
③	Table Support Board #3 	2pcs

HARDWARE REQUIRED:

A 	Cam Bolt M6x40 - 16pcs
B 	Cam Lock Ø14.5x11 - 16pcs
C 	Dowel Ø6x30 - 8pcs
D 	XXX 15x30x1.5 - 8pcs



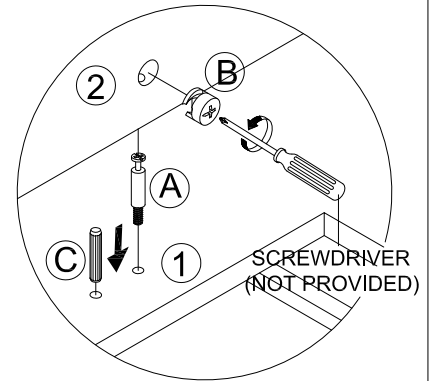
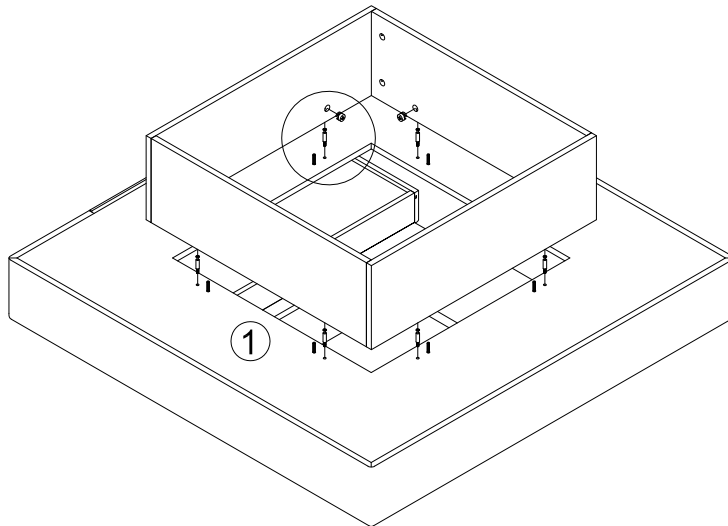
Attention:

***Mattresses not included.

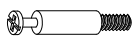


***Some number parts listed on the instruction sheet may not be in parts bag as they may already be assemble. Carefully check parts and packing materials prior to ordering replacements.

How to Assemble:

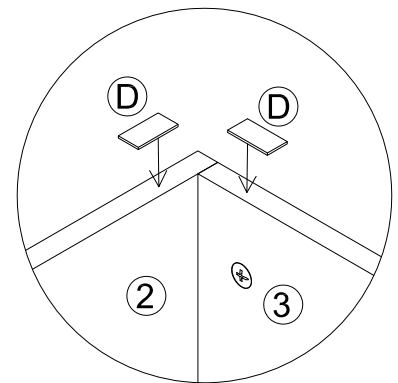
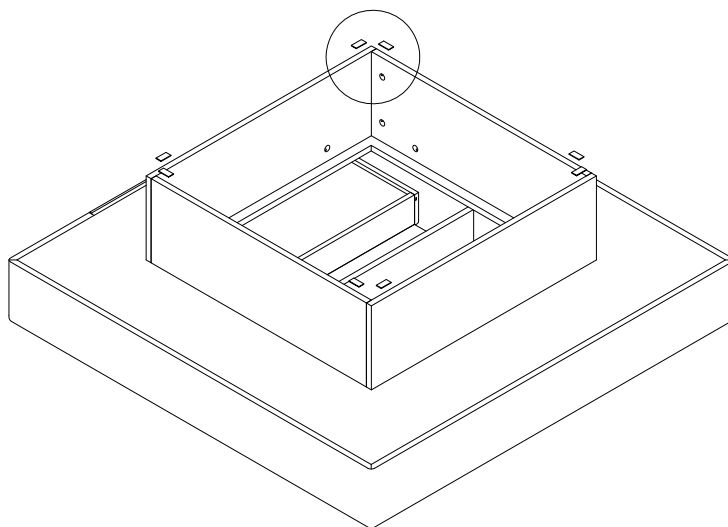
STEP 3.

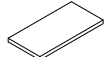


SCREWDRIVER
(NOT PROVIDED)

(A)		8pcs
(B)		8pcs
(C)		8pcs

STEP 4.



(D)		8pcs
-----	---	------