





ANTI - TIPPING KIT FOR CHEST, DRESSER, PLASMA/TV CHEST & NIGHTSTAND (IF OVER 27")

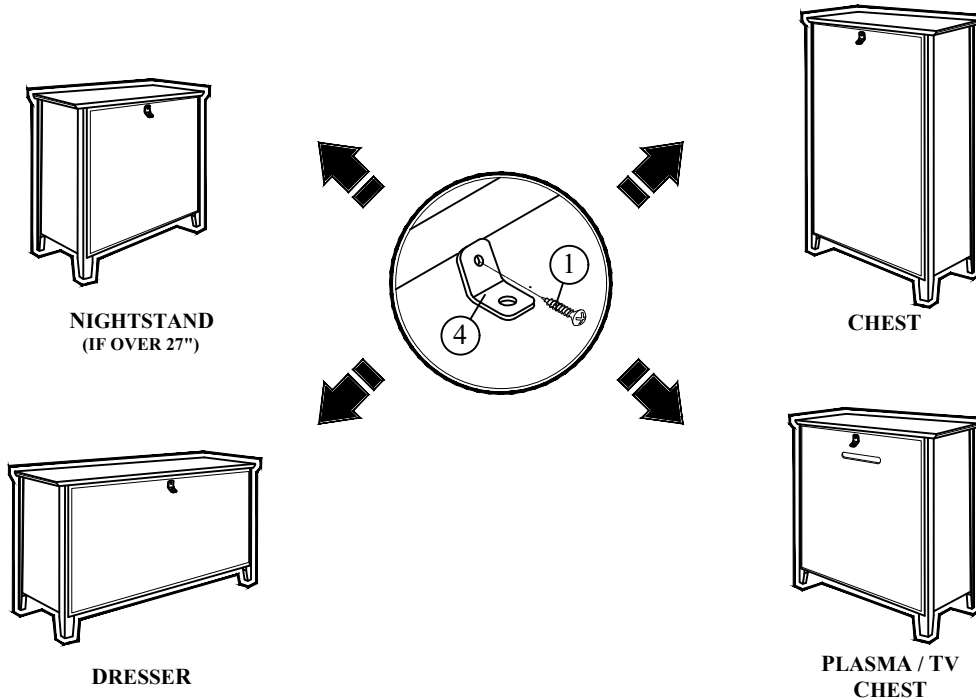
This Tip Restraint Must Be Attached To A Wall Stud Using Long Screw Enclosed

HARDWARE

- | | | | |
|----|--|-------------|-------|
| 1. |  | Short screw | 1 pc |
| 2. |  | Long screw | 1 pc |
| 3. |  | Steel Cable | 1 pc |
| 4. |  | L Bracket | 2 pcs |

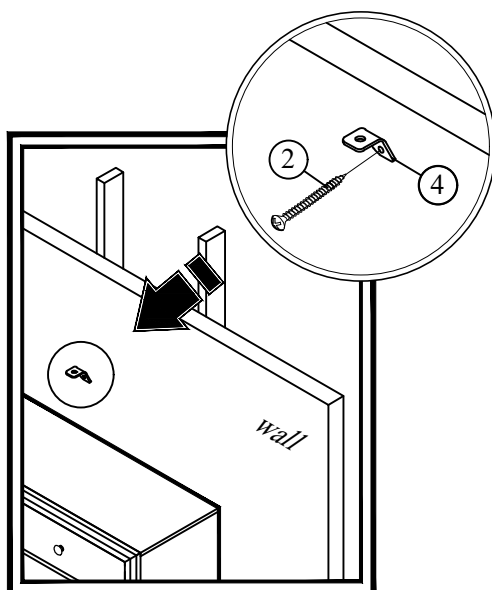
STEP 1

Attach a bracket securely to the back top rail of the casegoods using short screw provided, through the smaller hole.



STEP 2

Locate the other bracket on the wall over a wall stud and two inches below the mounting bracket secured to the back of casegoods. Attached to the wall stud using the long screw provided, through the smaller hole.



STEP 3

Place the casegoods into position so both mounting brackets are vertically in line. Lace the male end of the steel cable through the larger hole in each mounting bracket. Securely connect both ends together by turning the female connector clockwise. Confirm that the steel cable is securely locked.

