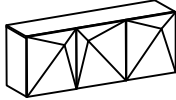




ASSEMBLY INSTRUCTION FOR ACME FURNITURE

MODEL#DN03597

Thank you for purchasing the quality product. Be sure to check all packing material carefully for small parts which may have come loose inside the carton during shipment. Separate, identify and count all parts and metal hardware. Compare with all parts list to be sure all parts are present. If any part(s) are missing or damaged, please contact your local furniture dealer. For efficient and speedy service, please indicate the model number and code letter of part(s) needed.

***** Do not fully tighten screws until fully assembled *****

COMPONENT PARTS			
DESCRIPTION	PART NAME		Q'TY(PCS)
①	SIDEBOARD		1
②	LEG		2
③	CONNECTING ROD		1

HARDWARE REQUIRED

Ⓐ



BOLT

M8x25

12 PCS

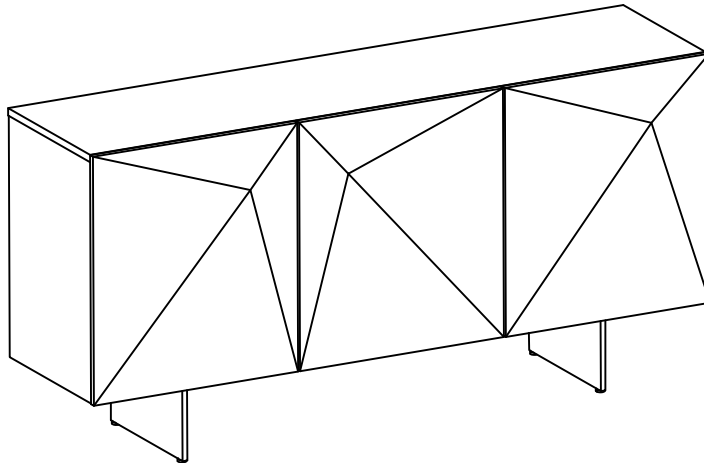
Ⓑ



ALLEN KEY

S5

1 PCS




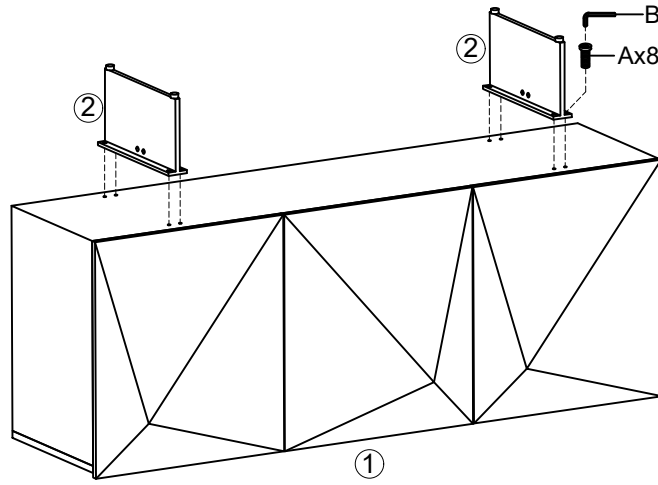
Attention

*** Some number parts listed on the instruction sheet may not be in parts bag as they may already be assembled. Carefully check parts and packing materials prior to ordering replacements.


How to assemble:

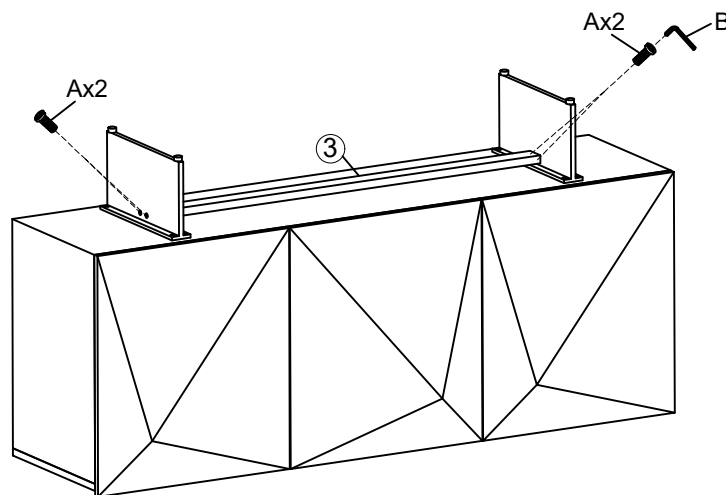
STEP 1

 Only hand tighten bolts until step 2



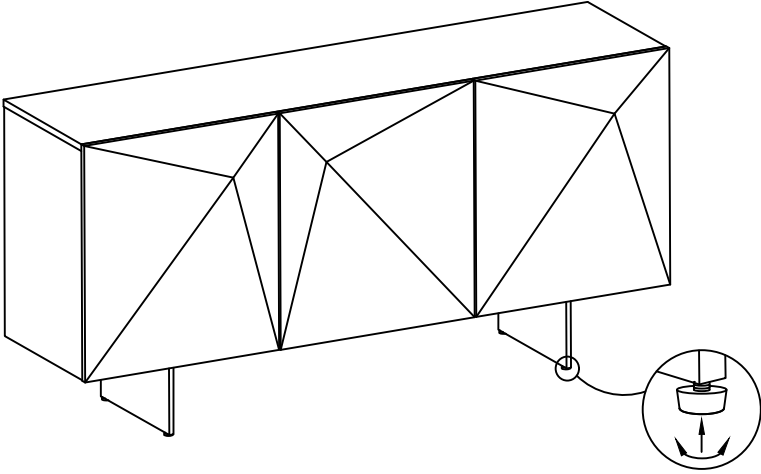
STEP 2

 Fully tighten bolts

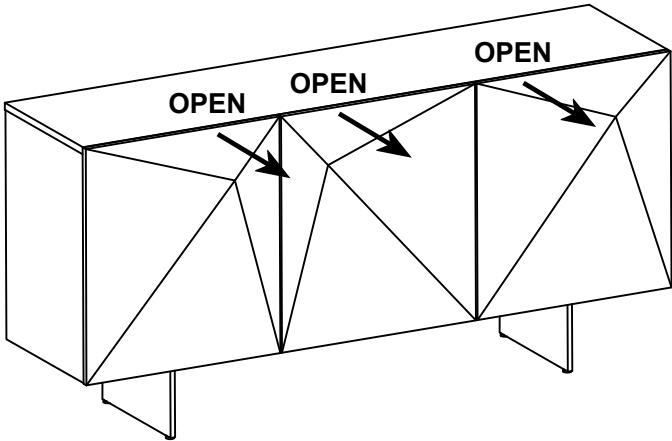


How to assemble:

STEP 3



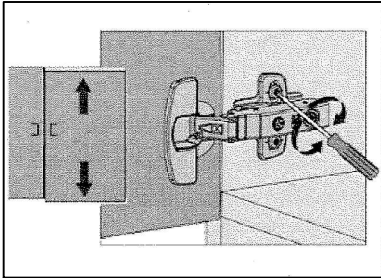
STEP 4



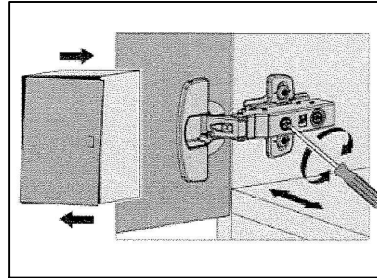
How to assemble:

STEP 5

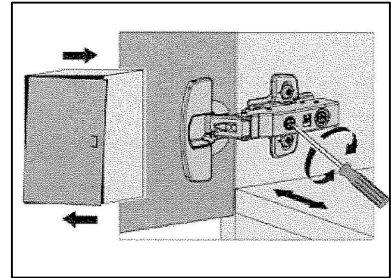
The doors are normally fitted and adjusted at the factory, however during transportation & handling, the doors may become 'misaligned', please follow below 'adjustment instructions', to realigned the doors.



VERTICAL
HINGE HEIGHT ADJUSTMENT



HORIZONTAL
HINGE SIDE ADJUSTMENT



IN/OUT
HINGE DEPTH ADJUSTMENT

Please Note:

**Avoid overtightening the adjustment screws.
Ensure that your furniture is on a level surface.**

To keep your new product looking great, occasional maintenance may be required. During use and transportation, doors and drawer fronts may become slightly misaligned - to create the best look please follow the instructions above.