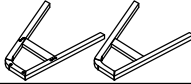


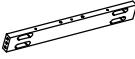
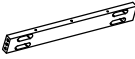


ASSEMBLY INSTRUCTION FOR ACME FURNITURE

MODEL#DN03487

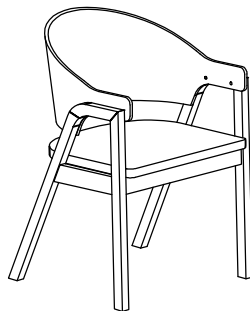
Thank you for purchasing the quality product. Be sure to check all packing material carefully for small parts which may have come loose inside the carton during shipment. Separate, identify and count all parts and metal hardware. Compare with all parts list to be sure all parts are present. If any part(s) are missing or damaged, please contact your local furniture dealer. For efficient and speedy service, please indicate the model the model number and code letter of part(s) needed.

***** Do not fully tighten screw until fully assembled *****

COMPONENT PARTS			
DESCRIPTION	PART NAME		QTY (PCS)
①	LEG - (L & R)		2
②	CUSHION SEAT		1
③	BACK REST		1
④	FRONT RAIL		1
⑤	BACK RAIL		1

HARDWARE REQUIRED

Ⓐ		JCBC BOLT M6 x 25MM (BLACK)	4 PCS
Ⓑ		JCBC BOLT M6 x 50MM	8 PCS
Ⓒ		SPRING WASHER 1/4" (BLACK)	4 PCS
Ⓓ		SPRING WASHER 1/4"	8 PCS
Ⓔ		WOOD DOWEL DIA 8 X 35mm	4 PCS
Ⓕ		WOOD DOWEL DIA 8 X 25mm	2 PCS
Ⓖ		PAN HEAD WOOD SCREW M5 X 32MM	6 PCS
Ⓗ		M4 ALLEN KEY (BALL SHAPE) LONG	1 PC
Ⓘ		ADJUSTER	4 PCS

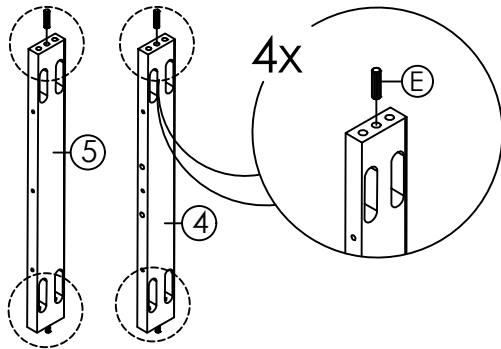


Attention

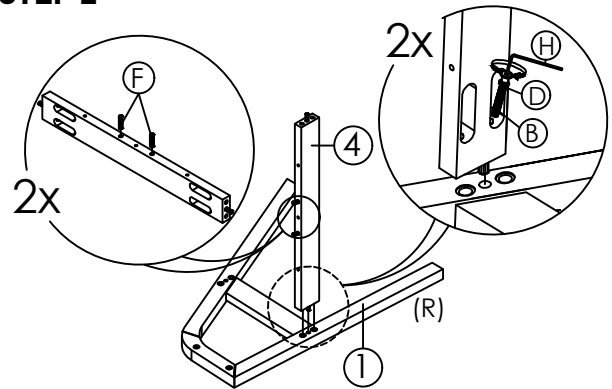
*** Some number parts listed on the instruction sheet may not be in parts bag as may already be assembled. Carefully check parts and packing materials prior to ordering replacements.

How to assemble:

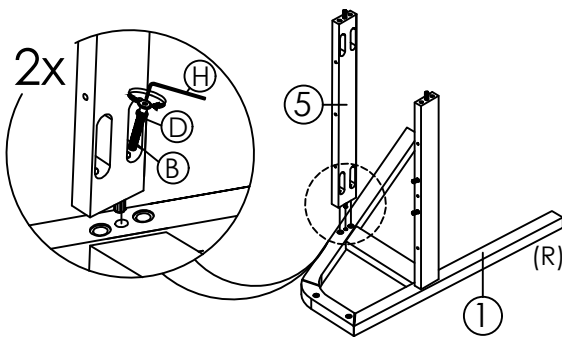
STEP 1



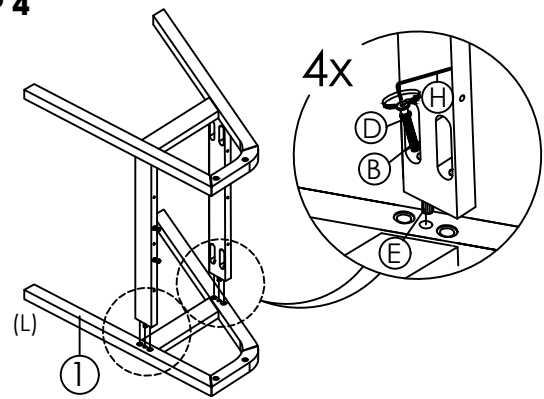
STEP 2



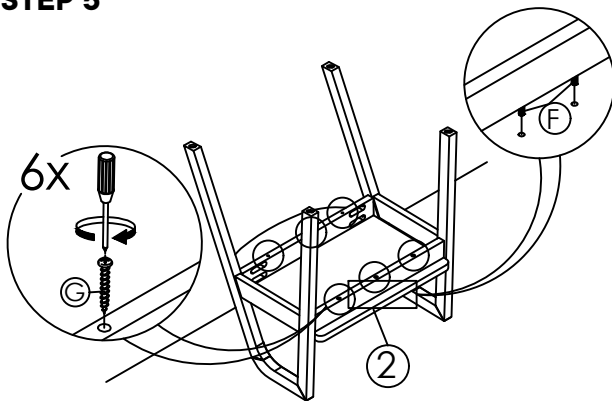
STEP 3



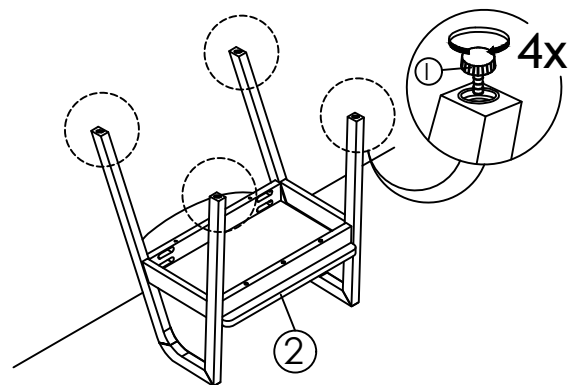
STEP 4



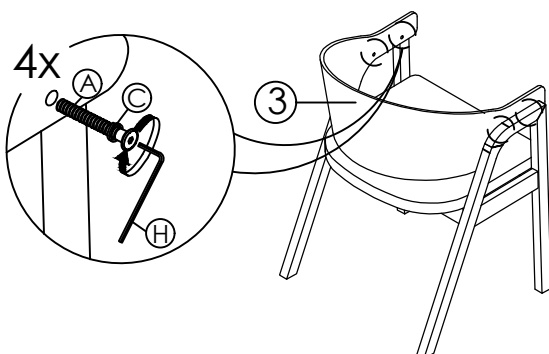
STEP 5



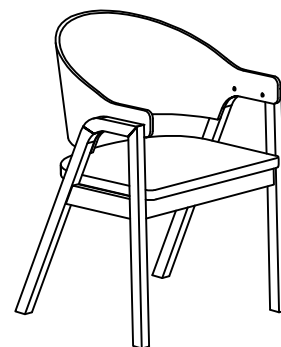
STEP 6



STEP 7



STEP 8



ASSEMBLY COMPLETED