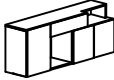
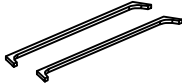


# ASSEMBLY INSTRUCTION FOR ACME FURNITURE








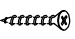
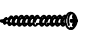
## MODEL#DN03078

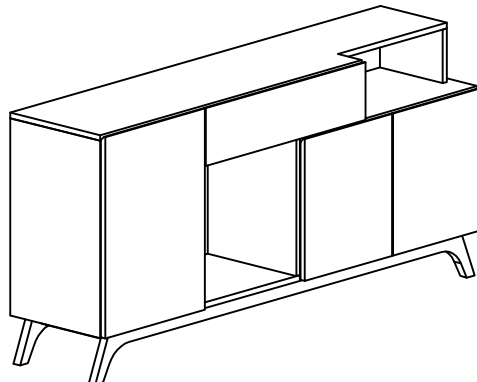
Thank you for purchasing the quality product. Be sure to check all packing material carefully for small parts which may have come loose inside the carton during shipment. Separate, identify and count all parts and metal hardware. Compare with all parts list to be sure all parts are present. If any part(s) are missing or damaged, please contact your local furniture dealer. For efficient and speedy service, please indicate the model the model number and code letter of part(s) needed.

**\*\*\* Do not fully tighten screw until fully assembled \*\*\***

DESCRIPTION	COMPONENT PARTS	
	PART NAME	QTY (PCS)
①	SIDEBOARD 	1
②	LEG 	2

## HARDWARE REQUIRED

Ⓐ		JCBC SCREW M6 x 40MM	8 PCS
Ⓑ		SPRING WASHER 1/4"	8 PCS
Ⓒ		FLAT WASHER 1/4"	8 PCS
Ⓓ		ALLEN KEY M4	1 PC
Ⓔ		NAIL LEG	4 PCS
Ⓕ		L- BRACKET	2 PCS
Ⓖ		BELT	1 PC
Ⓗ		WALL SCREW M4 x 18MM	1 PC
Ⓘ		WALL SCREW M4 x 50MM	1 PC

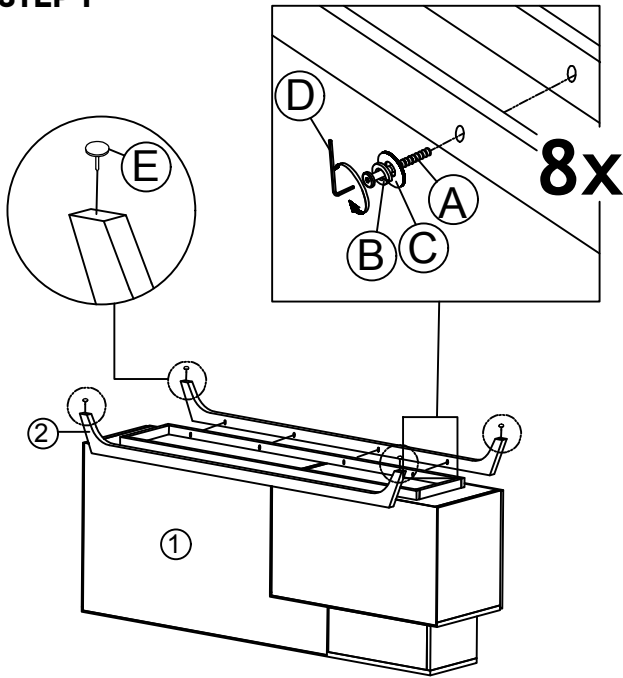


## Attention

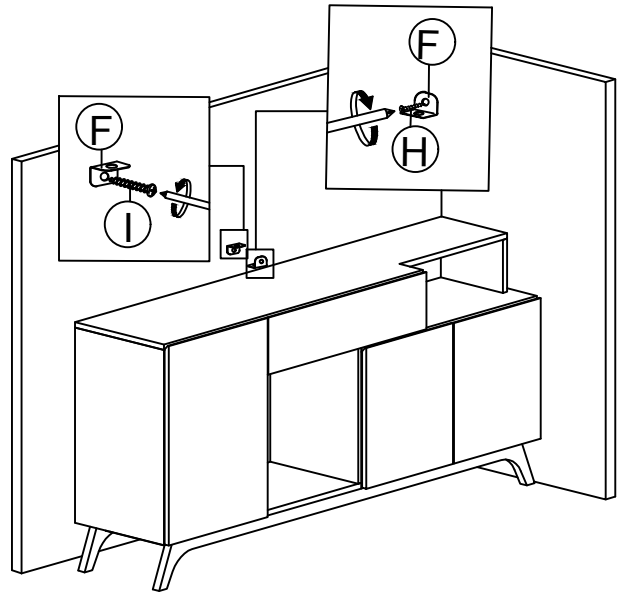
\*\*\* Some number parts listed on the instruction sheet may not be in parts bag as may already be assembled. Carefully check parts and packing materials prior to ordering replacements.

# How to assemble:

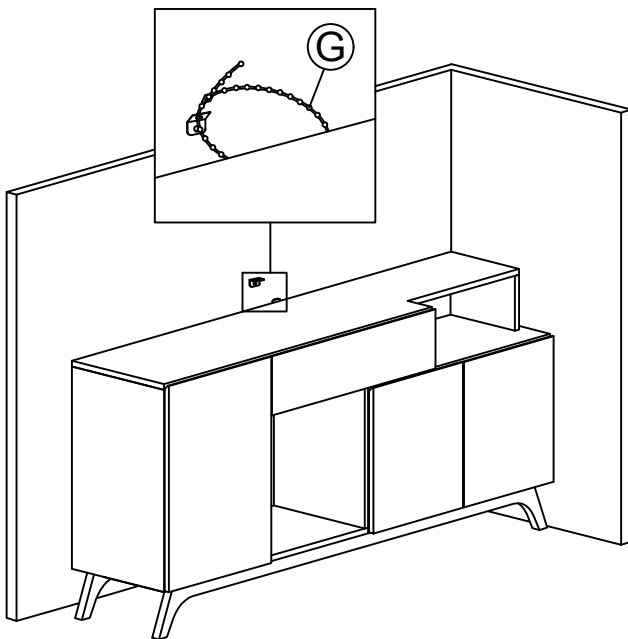
## STEP 1



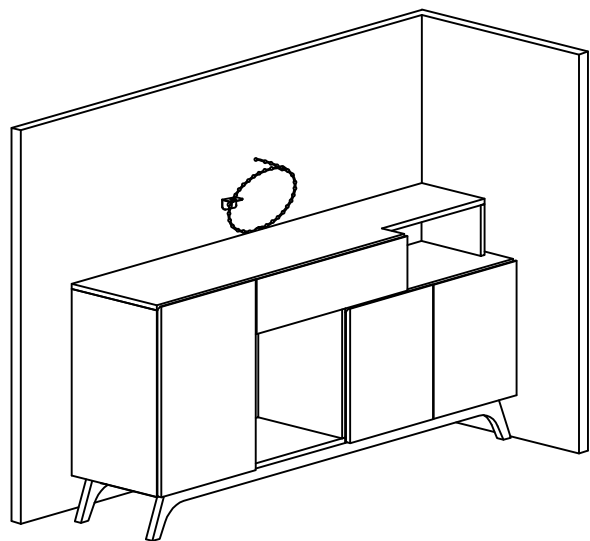
## STEP 2



## STEP 3



## STEP 4



**ASSEMBLY COMPLETED**