

ASSEMBLY INSTRUCTION FOR ACME FURNITURE

MODEL#BD02473

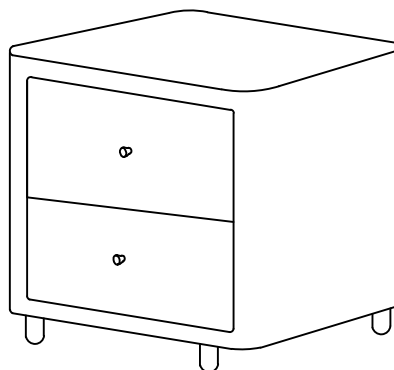
Thank you for purchasing the quality product. Be sure to check all packing material carefully for small parts which may have come loose inside the carton during shipment. Separate, identify and count all parts and metal hardware. Compare with all parts list to be sure all parts are present. If any part(s) are missing or damaged, please contact your local furniture dealer. For efficient and speedy service, please indicate the model number and code letter of part(s) needed.

*** Do not fully tighten screws until fully assembled ***

	COMPONENT PARTS	
DESCRIPTION	PART NAME	Q'TY (PCS)
①	NIGHT STAND	1
②	NIGHT STAND LEG	4

HARDWARE REQUIRED

DOES NOT HAVE HARDWARE



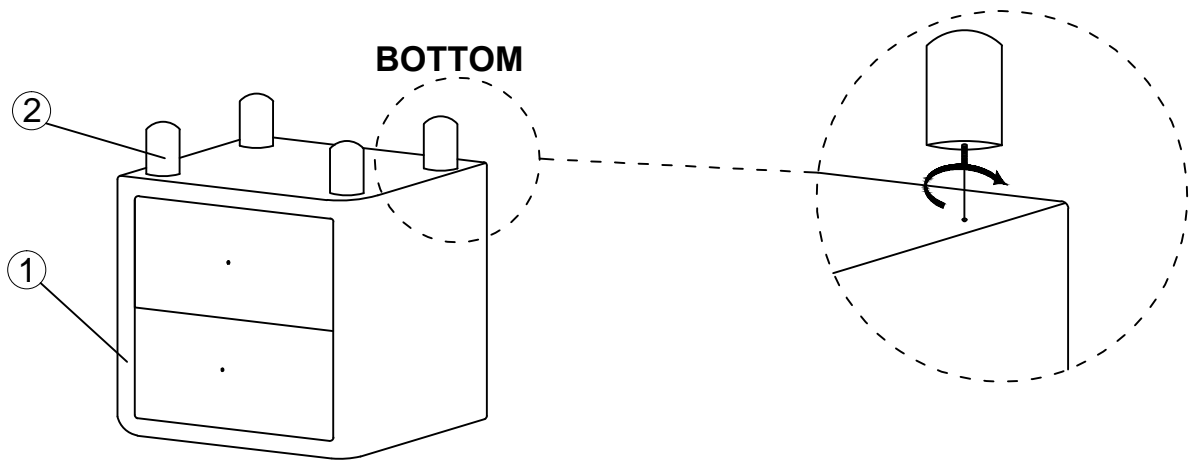
Attention

*** Some number parts listed on the instruction sheet may not be in parts bag as they may already be assembled. Carefully check parts and packing materials prior to ordering replacements.

How to assemble:

STEP 1

Turn the Night Stand(1) and then assemble the night stand leg(2).



STEP 2

Loose the screw of drawer handle as pre-fixed onto the drawer front (INSIDE) by using screw driver. Revert and position this handle onto the drawer front and tighten with the same screw

