

ASSEMBLY INSTRUCTIONS FOR ACME FURNITURE

MODEL #BD02335Q

Thank you for purchasing the quality product. Be sure to check all packing material carefully for small parts which may have come loose inside the carton during shipment. Separate, identify and count all parts and metal hardware. Compare with all parts list to be sure all parts are present. If any part (s) are missing or damaged, please contact your local furniture dealer. For efficient and speedy service, please indicate the model number and code letter of part (s) needed.

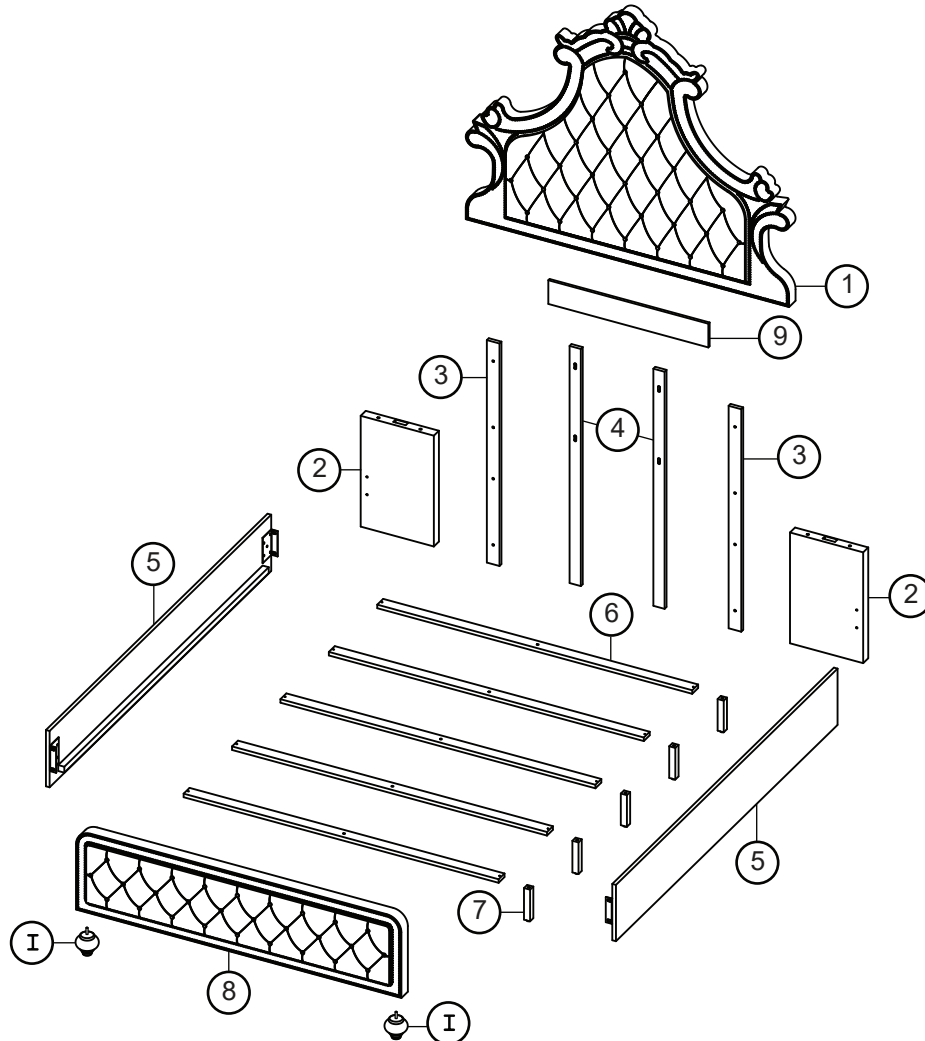
*****Do not fully tighten bolts and screws until fully assembled*****

PART LIST :

PART#	DESCRIPTION	QTY
1	Headboard	1
2	Headboard Leg	2
3	Headboard Inner Leg Support	2
4	Headboard Leg Support	2
5	Side Rail	2
6	Slat	5
7	Leg Support	5
8	Footboard	1
9	Gap Filler	1

HARDWARE LIST :

NO	DESCRIPTION	QTY
A	Allen Key M4	1
B	Allen Key With Ball M5	1
C	Connection Bolt (M8 x 30mm) W/Spring Washer & Washer Medium	8
D	Connection Bolt (M6 x 40mm) W/Spring Washer & Washer Medium	16
E	JCBC Bolt M6 x 40mm	5
F	Black CSK Screw M4 x 16mm	8
G	CSK Screw M4 x 32mm	10
H	Adjuster	5
I	Bun Foot	2
J	Black L-Bracket	4
K	Adapter Plug	1

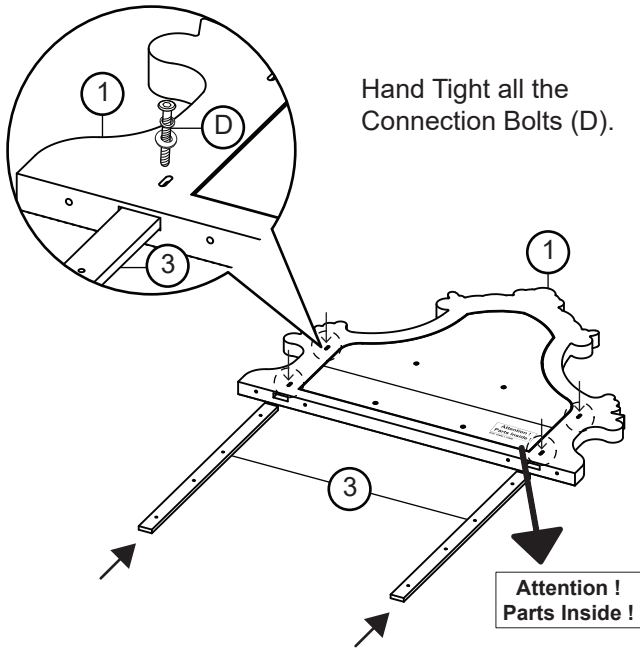


Attention:

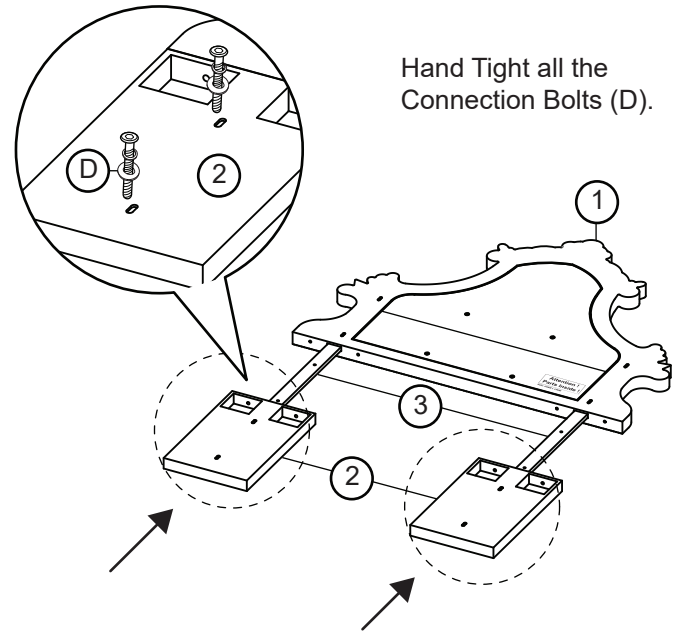
*** Some number parts listed on the instruction sheet may not be in parts bag as they may already be assembled. Carefully check parts and packing materials prior to ordering replacements.

HOW TO ASSEMBLE :

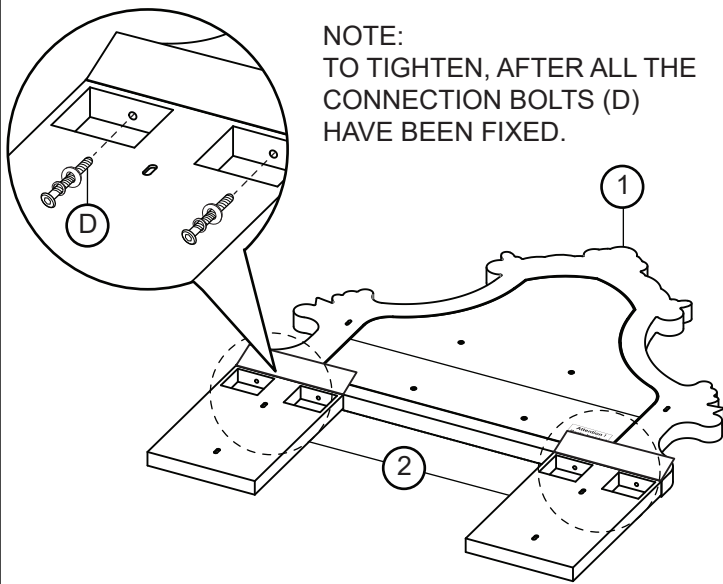
STEP: 1



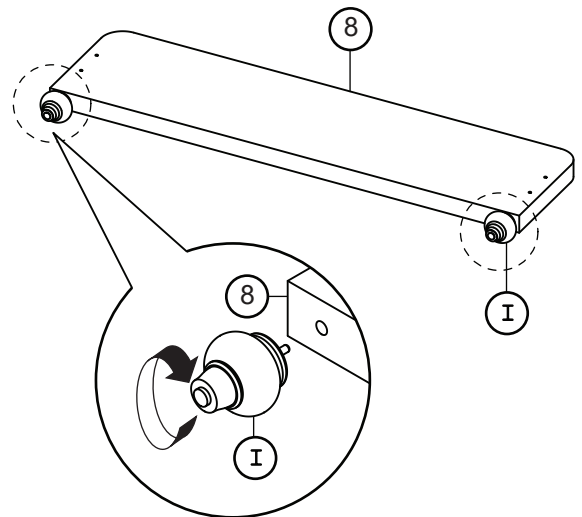
STEP: 2



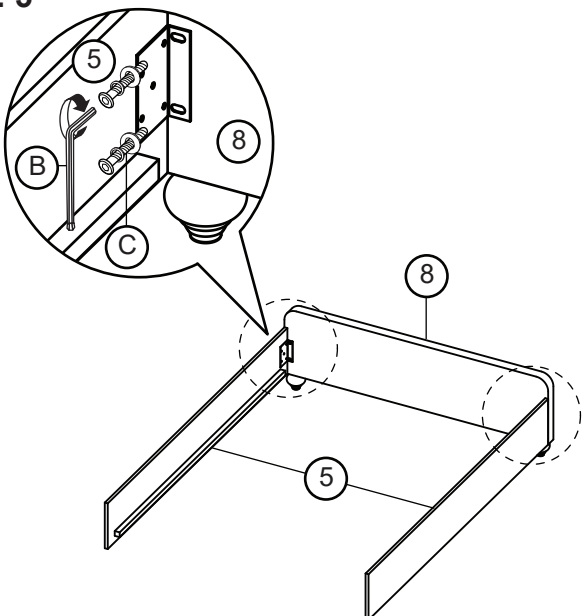
STEP: 3



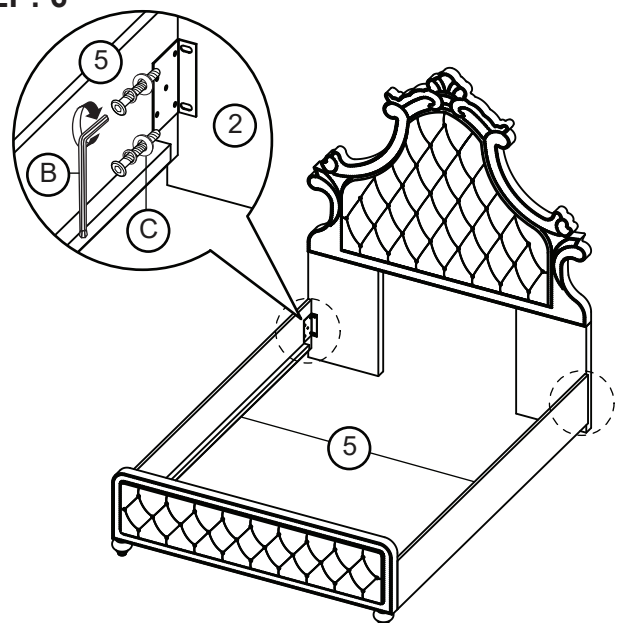
STEP: 4



STEP: 5

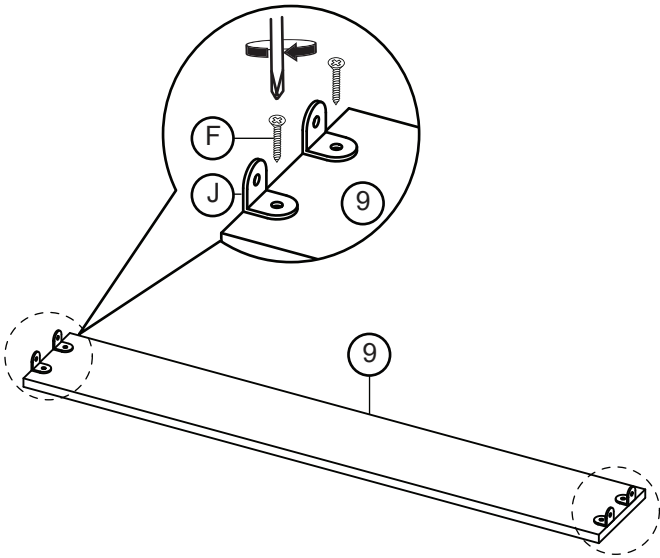


STEP: 6

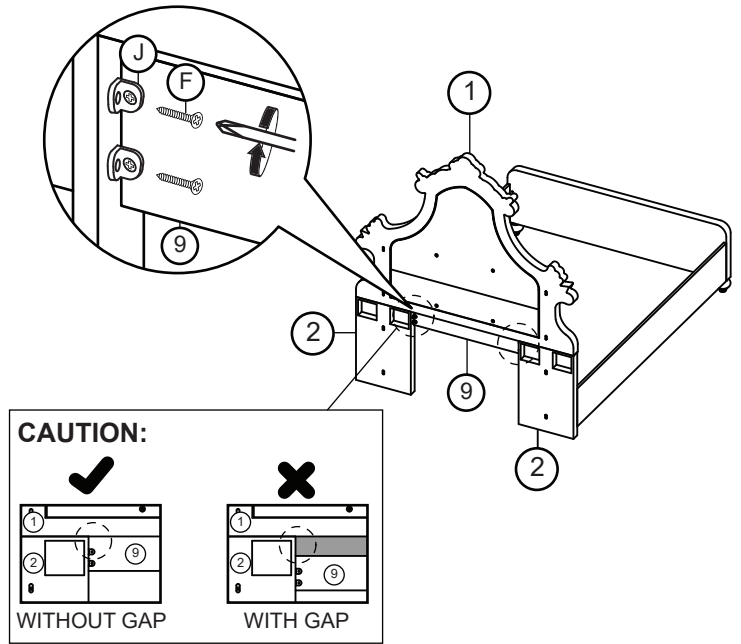


HOW TO ASSEMBLE :

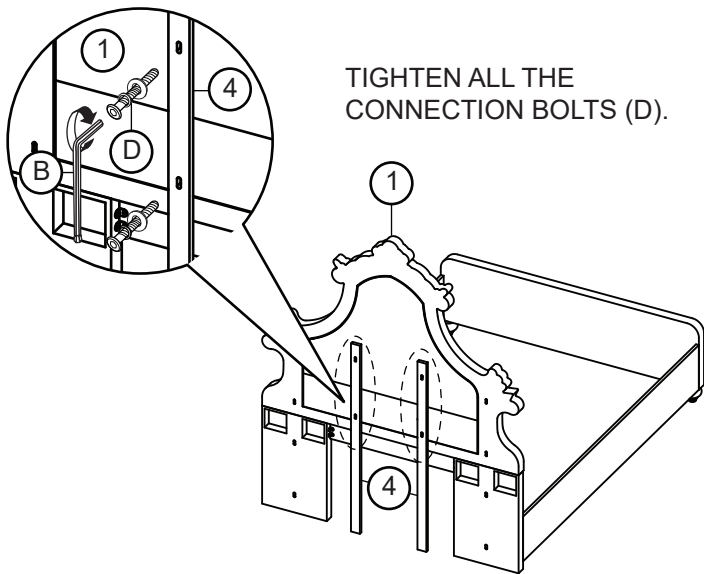
STEP: 7



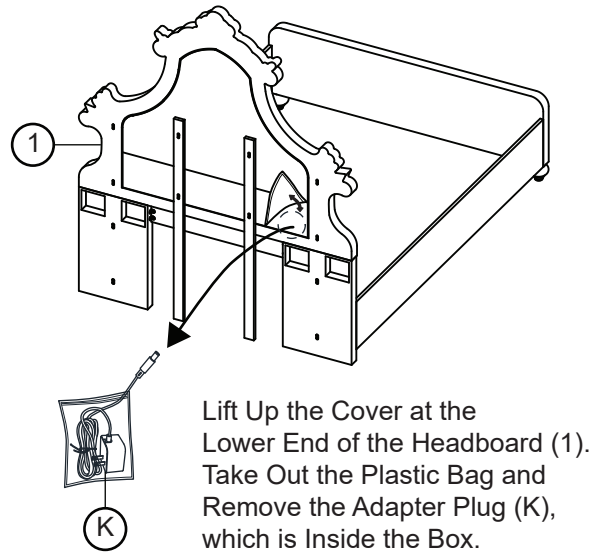
STEP: 8



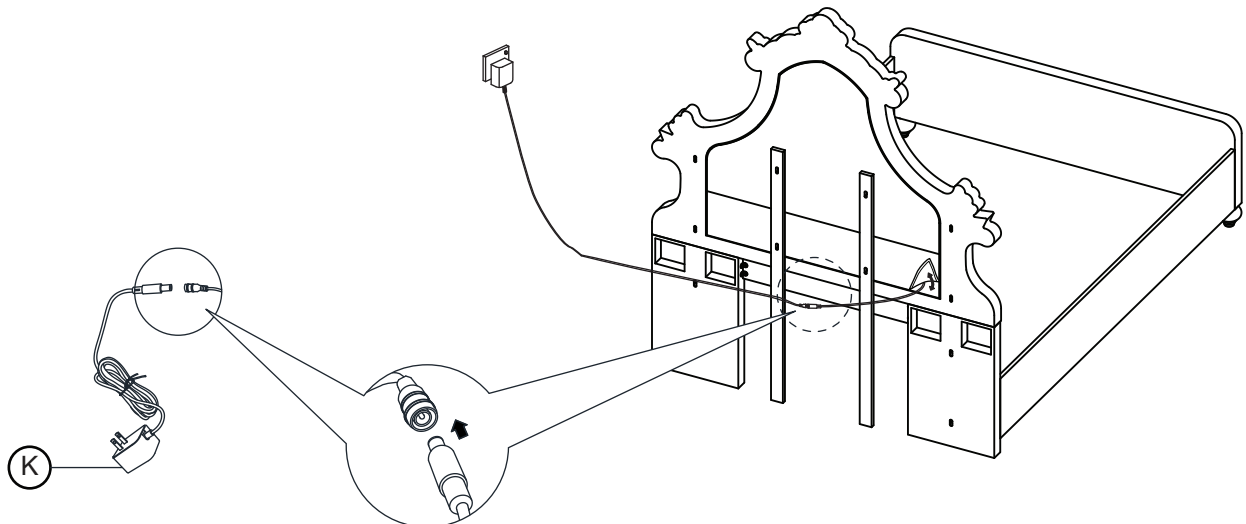
STEP: 9



STEP: 10

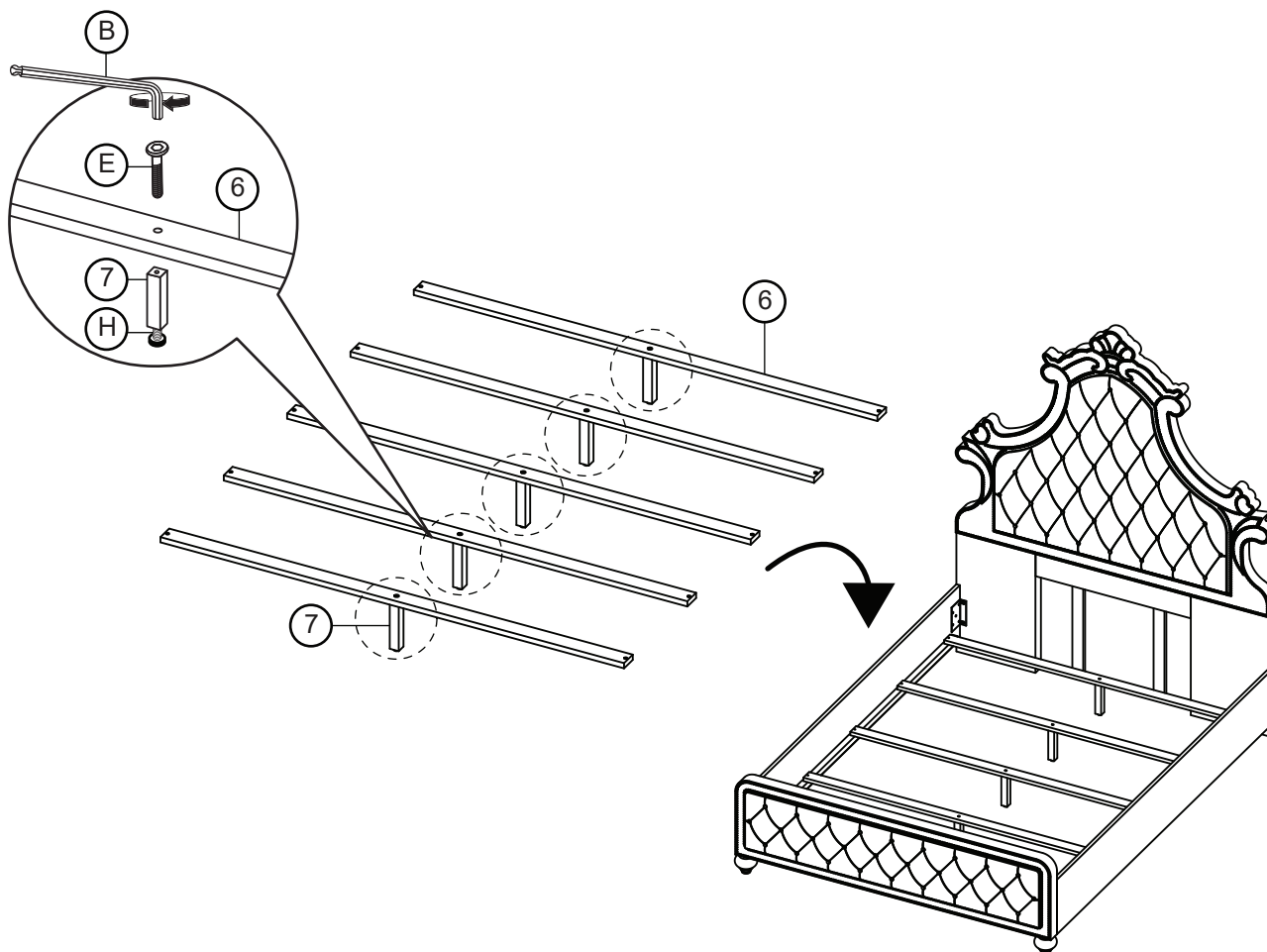


STEP: 11

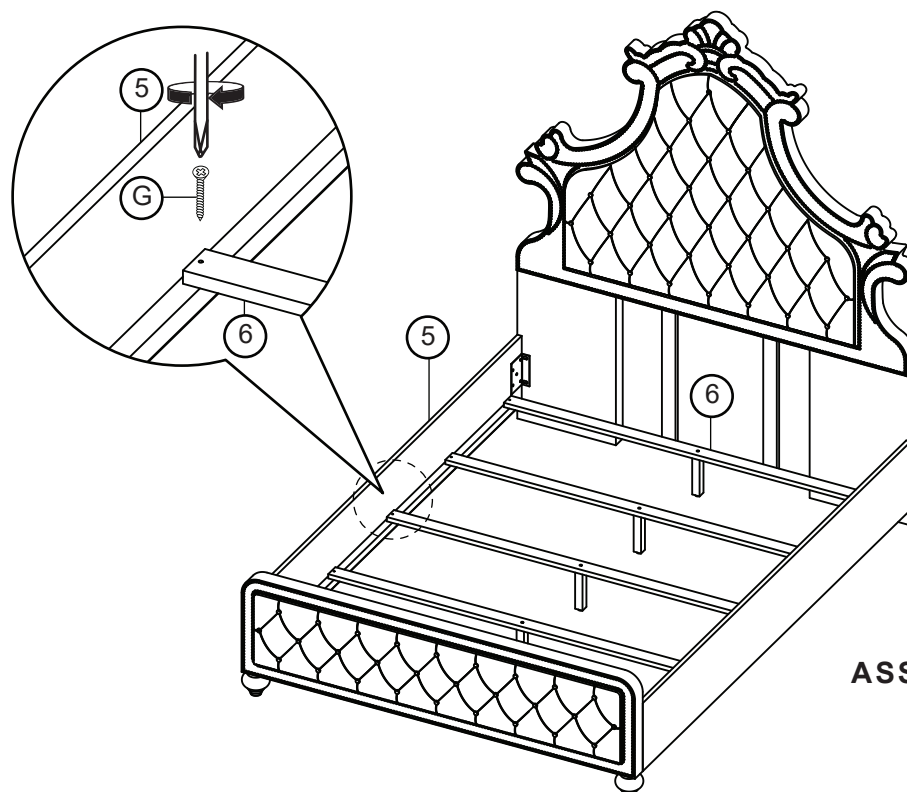


HOW TO ASSEMBLE :

STEP: 12



STEP: 13



ASSEMBLY COMPLETE

