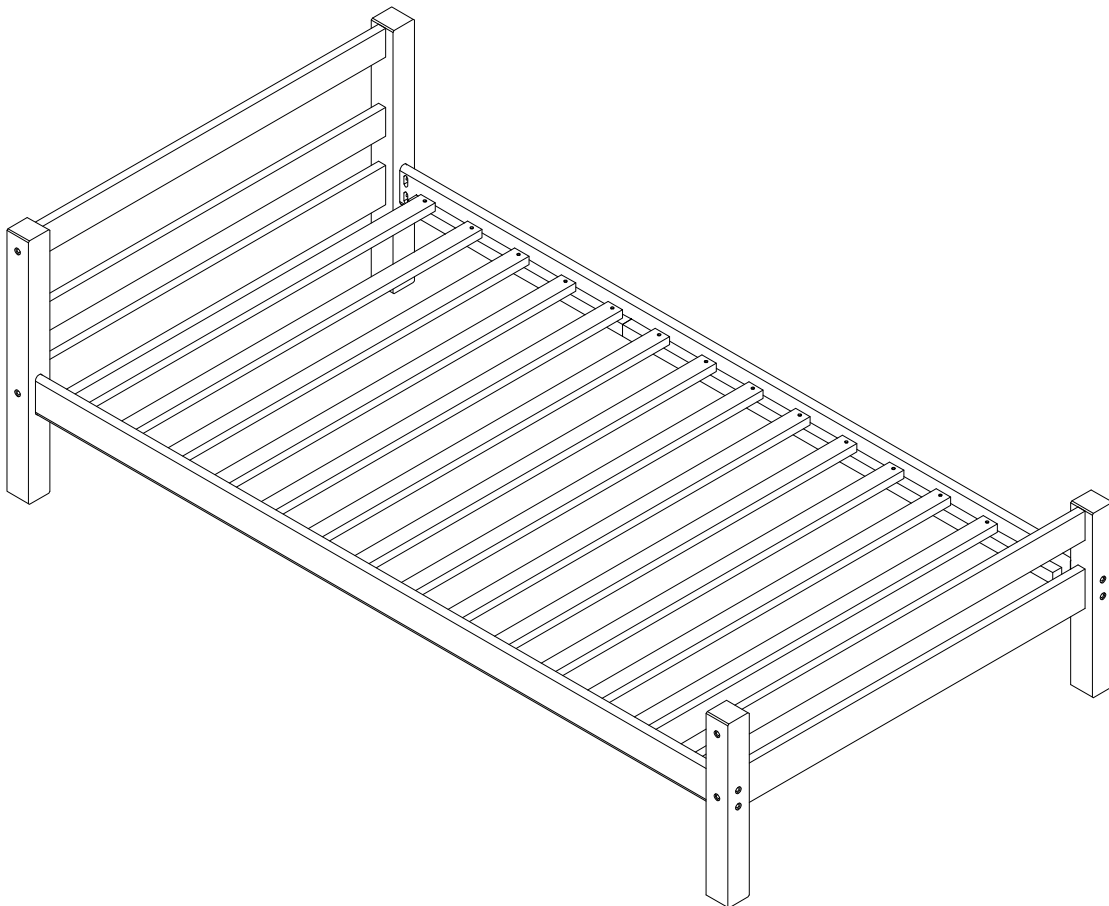


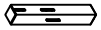



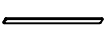

*** Thank you for purchasing this quality product. Be sure to check all packing materials carefully for small parts which may have come loose inside the carton during shipment. Identify and count all parts and compare with parts list below.

*** Assemble product on a flat, soft surface such as a carpet or cloth to prevent scratching the finish. Read all instruction and study the drawings carefully before starting the assembly process.








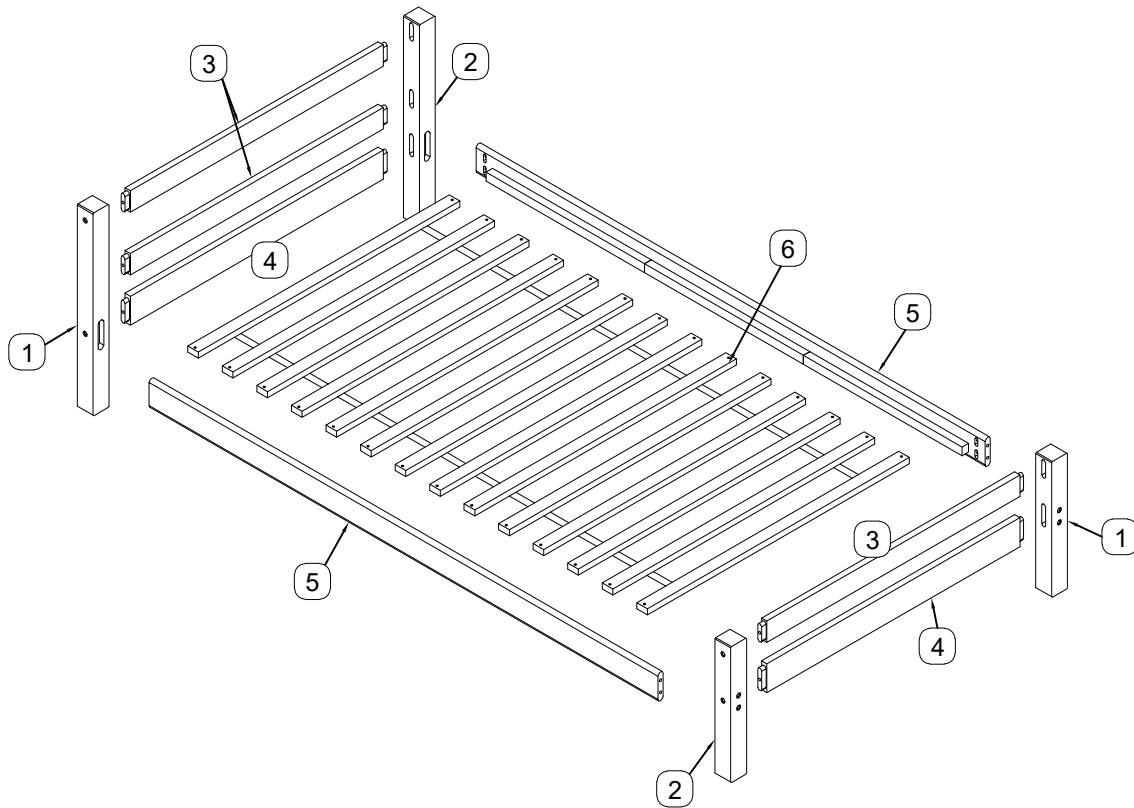
IMPORTANT: Do not tighten bolts completely until all bolts are completely lined up and inserted into holes

PARTS LIST

NO.	DIAGRAM	PART NAME	Q'Ty
1		Lower Bed HB/FB Left Post	2 pcs
2		Lower Bed HB/FB Right Post	2 pcs
3		Lower Bed HB/FB Top Panel	3 pcs
4		Lower Bed HB/FB Base Panel	2 pcs
5		Lower Bed Side Rail	2 pcs
6		Slats (14pcs = 1set)	1 set

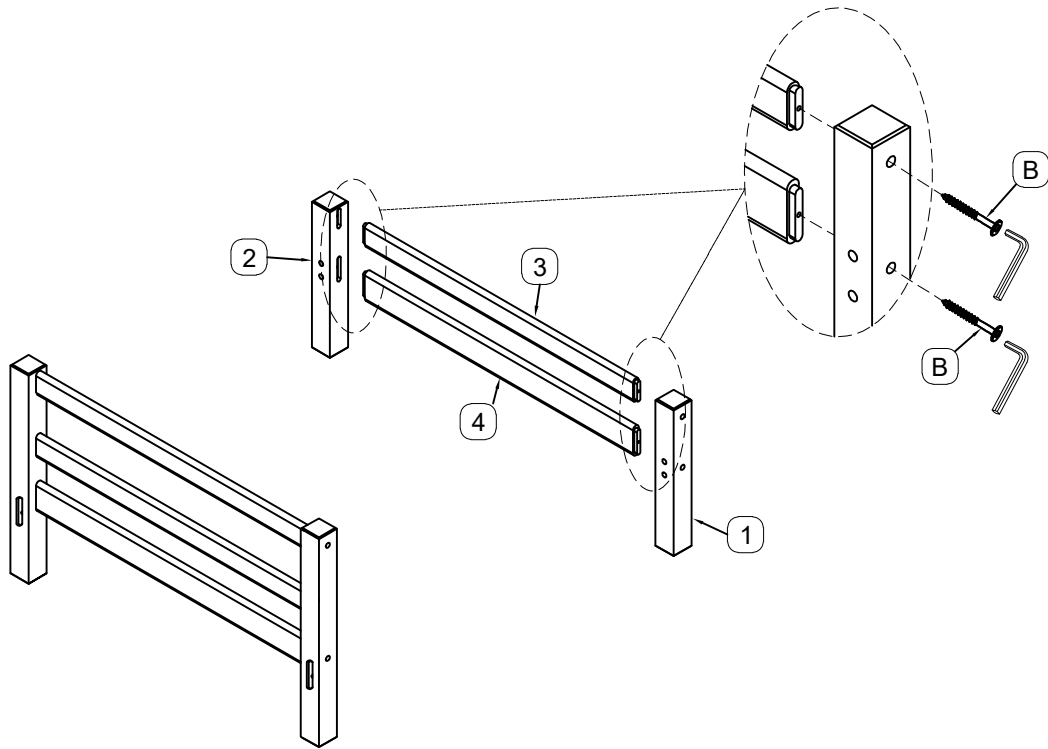
HARDWARE LIST


NO.	DIAGRAM	PART NAME	Q'Ty
A		Bolt: 6.3 x 100 (mm)	8 pcs
B		Bolt Screw 7 x 100 (mm)	8 pcs
C		Allen Key (M4)	1 pc
D		Screw 4 x 30 (mm)	28 pcs
E		Half Round Nut: 6.3 x 22 x 10	8 pcs



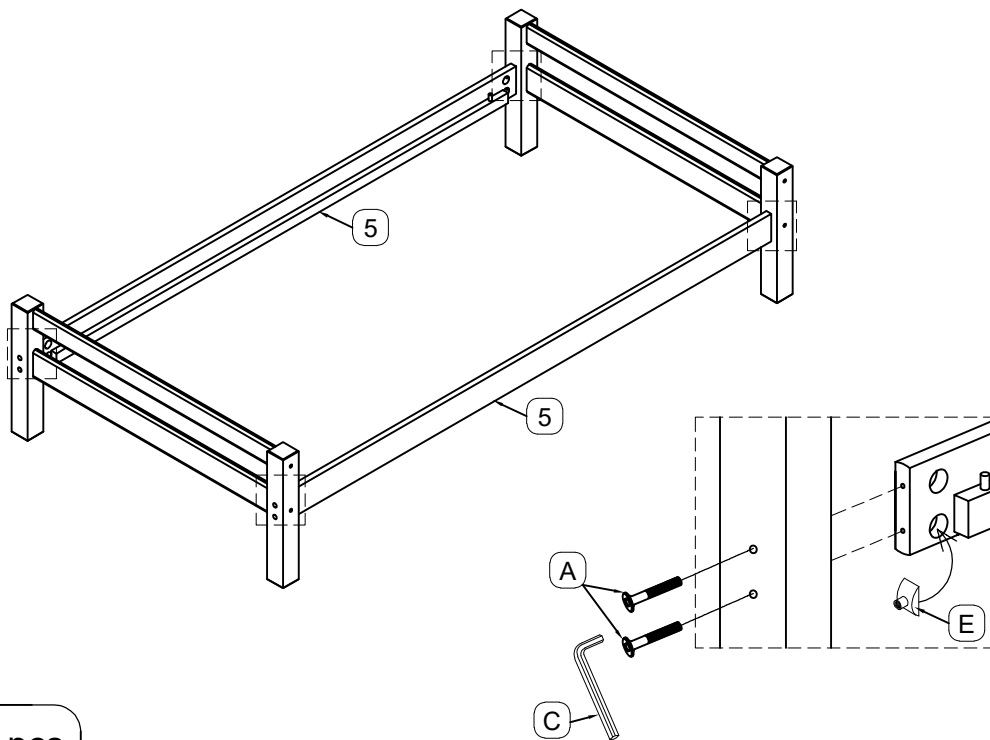
STEP 1: HEADBOARD AND FOOTBOARD ASSEMBLY



10 PLACES



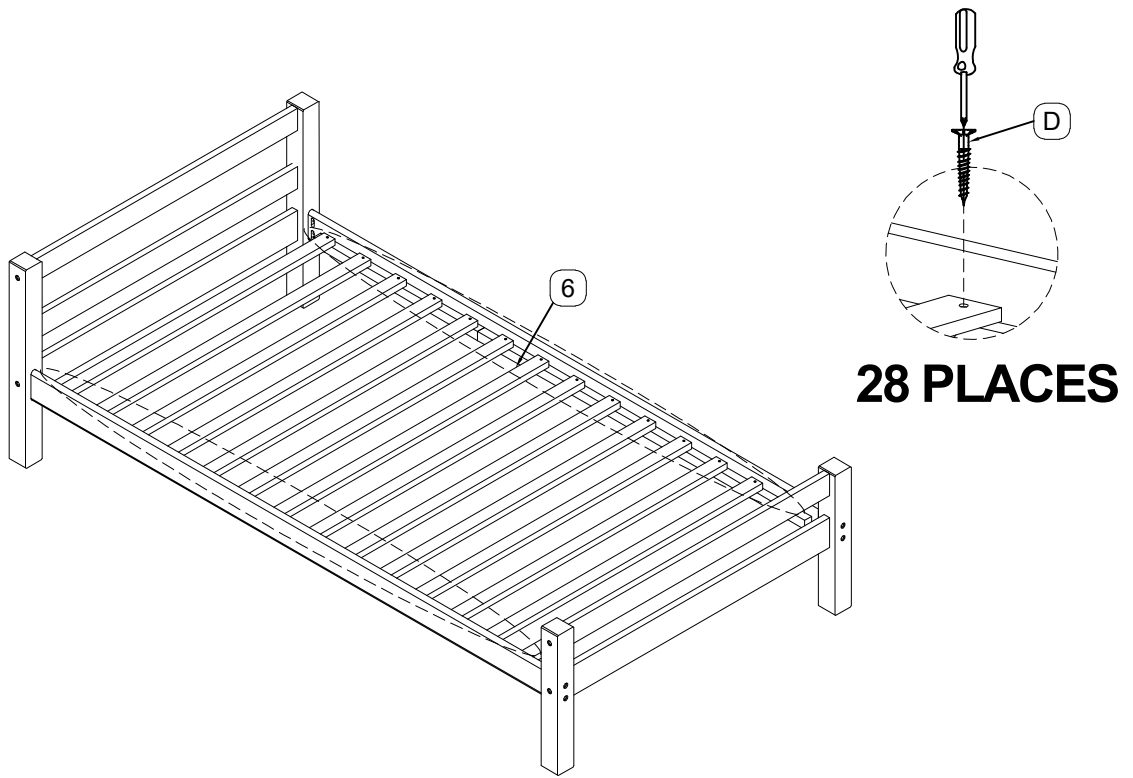
B  8 pcs

STEP 2: RAIL ASSEMBLY



A  8 pcs
E  8 pcs

STEP 3: SLATS ASSEMBLY



STEP 4: COMPLETED

