

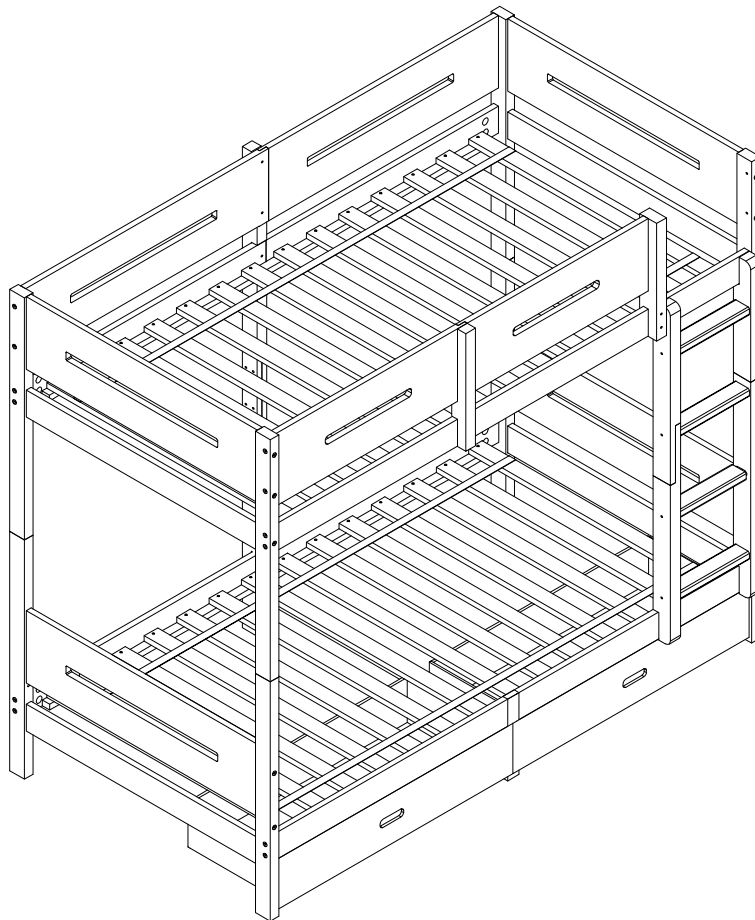
ACME FURNITURE

ASSEMBLY INSTRUCTIONS

Item No: BD01911


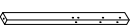




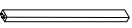






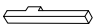
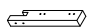







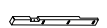



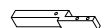
*** Thank you for purchasing this quality product. Be sure to check all packing materials carefully for small parts which may have come loose inside the carton during shipment. Identify and count all parts and compare with parts list below.

*** Assemble product on a flat, soft surface such as a carpet or cloth to prevent scratching the finish. Read all instruction and study the drawings carefully before starting the assembly process.


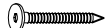
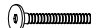

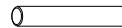
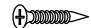

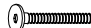



IMPORTANT: Do not tighten bolts completely until all bolts are completely lined up and inserted into holes

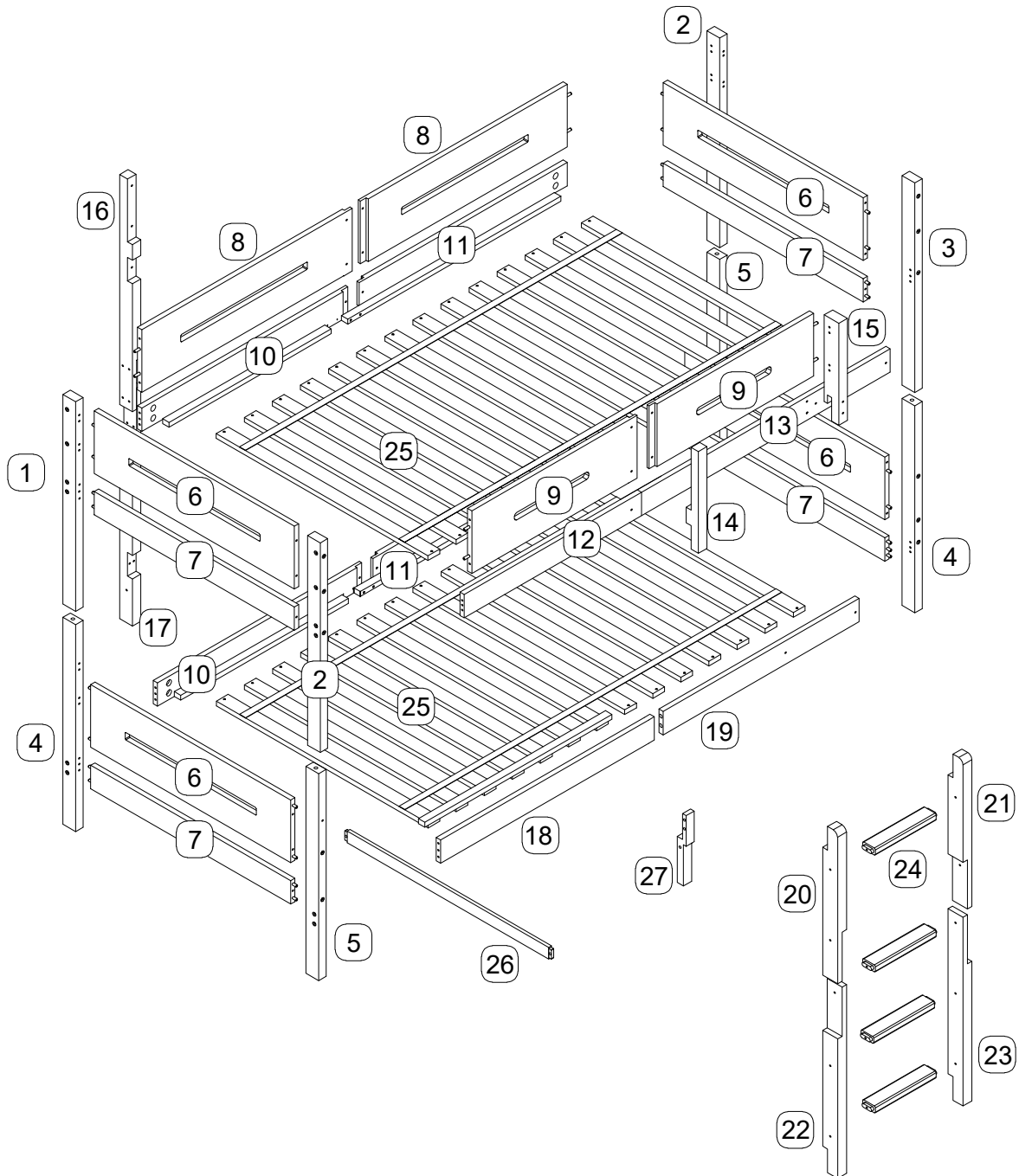
PARTS LIST

NO.	DIAGRAM	PART NAME	Q'Ty
1		Upper Headboard Leg	1 pc
2		Upper Headboard Leg	2 pcs
3		Upper Headboard Leg	1 pc
4		Bottom Headboard Leg	1 pc
5		Bottom Headboard Leg	2 pcs
6		Upper & Bottom Headboard Panel	2 pcs
7		Upper & Bottom Sketcher	4 pcs
8		Upper Back Panel	2 pcs
9		Upper Front Panel	2 pcs
10		Back Rail (Top & Bottom)	2 pcs
11		Back Rail (Top & Bottom)	2 pcs
12		Front Rail (Top Left)	1 pc
13		Front Rail (Top Right)	1 pc
14		Front Guardrail Support	1 pc
15		Guardrail Attachment	1 pc
16		Back Top Leg	1 pc
17		Back Bottom Leg	1 pc
18		Front Rail (Bottom Left)	1 pc
19		Front Rail (Bottom Right)	1 pc
20		Ladder Rail (Top Left)	1 pc
21		Ladder Rail (Top Right)	1 pc
22		Ladder Rail (Bottom Left)	1 pc
23		Ladder Rail (Bottom Right)	1 pc
24		Ladder Rung	4 pcs
25		Completed Twin Slat (14pcs/1set)	2 sets
26		Bottom Center Rail	1 pc
27		Bottom Front Rail Leg	1 pc

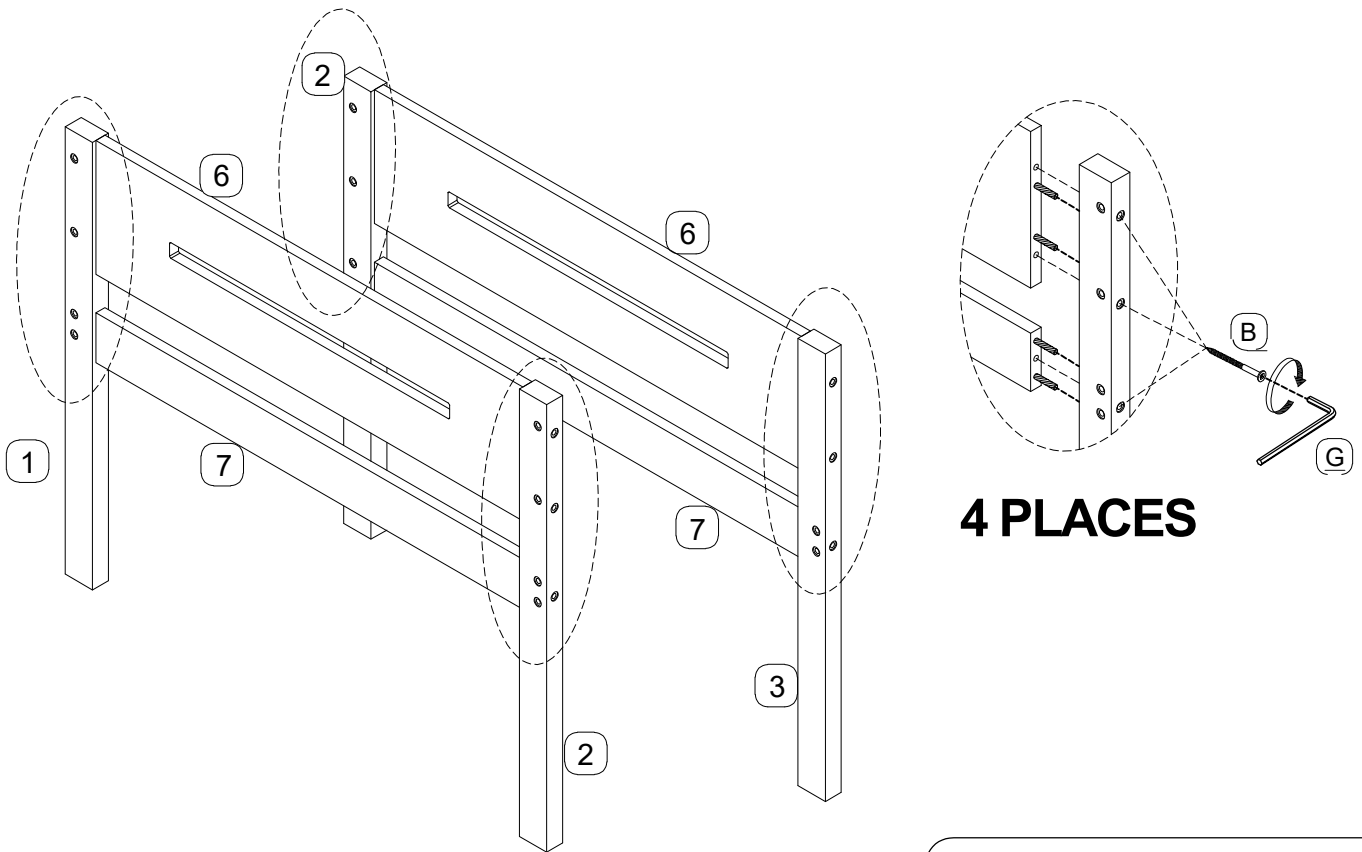
HARDWARE LIST

NO.	DIAGRAM	PART NAME	Q'Ty
A		Bolt: 6.3 x 80 (mm) Half Round Nut	16 sets
B		Bolt 7 x 100 (mm)	24 pcs
C		Long Screw 7 x 50 (mm)	8 pcs
D		Wood Dowel 10 x 40 (mm)	8 pcs
E		Wood Dowel 9 x 90 (mm)	4 pcs
F		Screw 4 x 30 (mm)	56 pcs
G		Allen Key (M4)	1 pc
H		Bolt 6.5 x 30 (mm)	31 pcs
I		Bolt: 6.3 x 80 (mm) Half Round Nut	4 sets

Exploded View



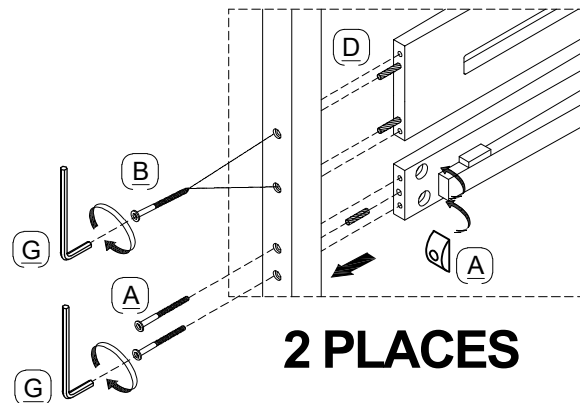
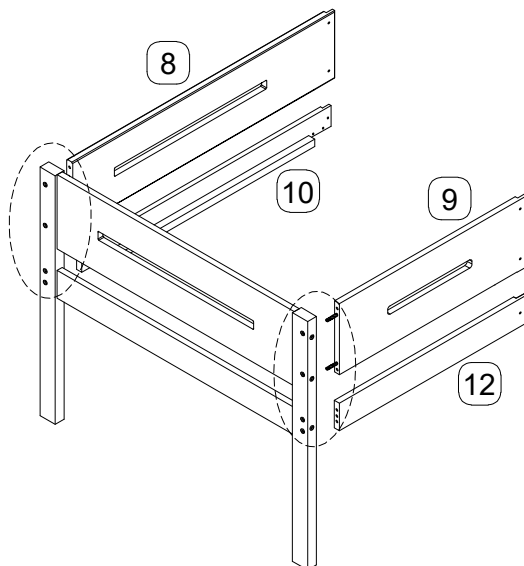
STEP 1: UPPER HEADBOARD ASSEMBLY






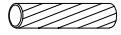
4 PLACES

B  **12 pcs**

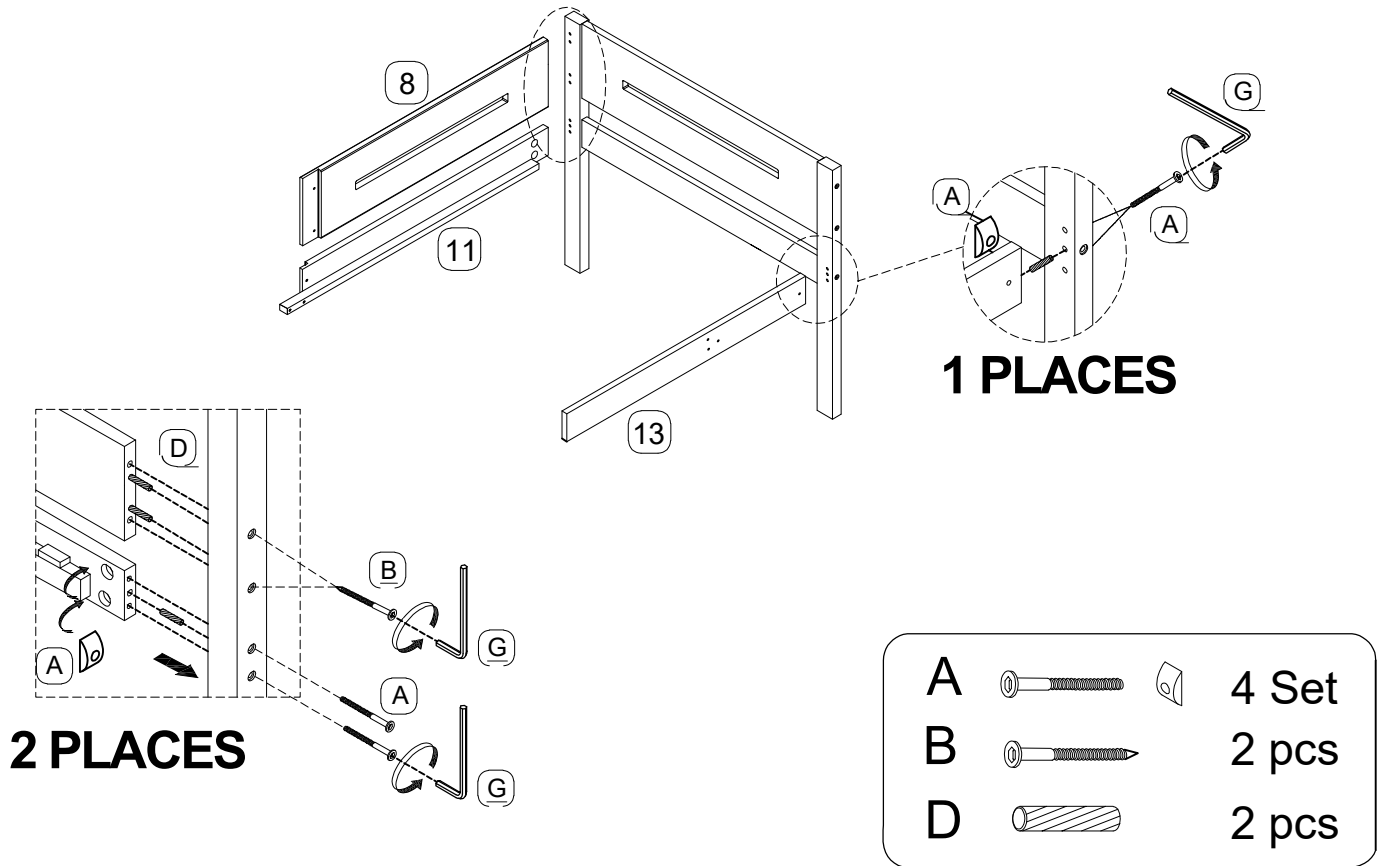
STEP 2: UPPER HEADBOARD, GUADRIL, RAILS ASSEMBLY



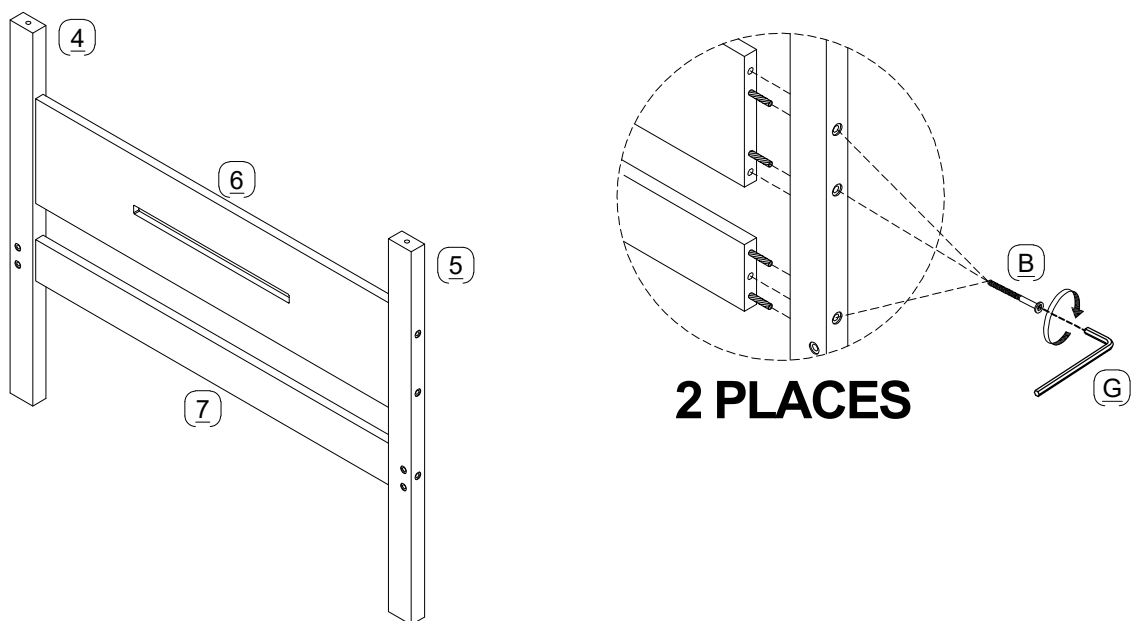
2 PLACES

A			4 Set
B			4 pcs
D			2 pcs

STEP 3: UPPER HEADBOARD, GUADRAIL, RAILS ASSEMBLY

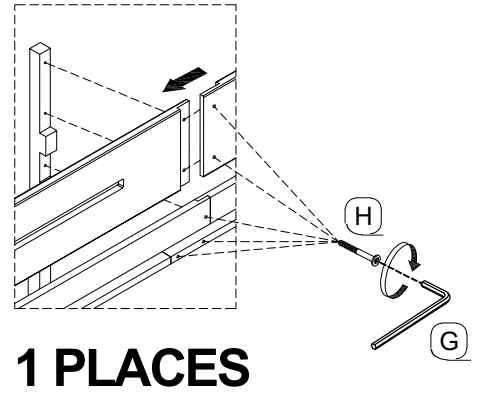
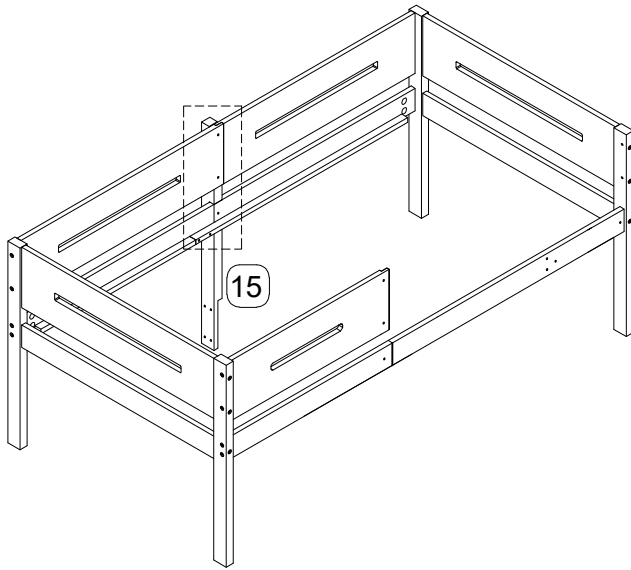


STEP 4: BOTTOM HEADBOARD ASSEMBLY

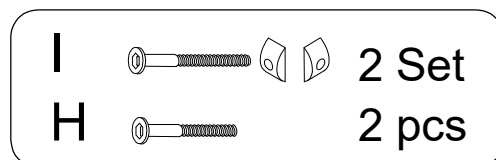
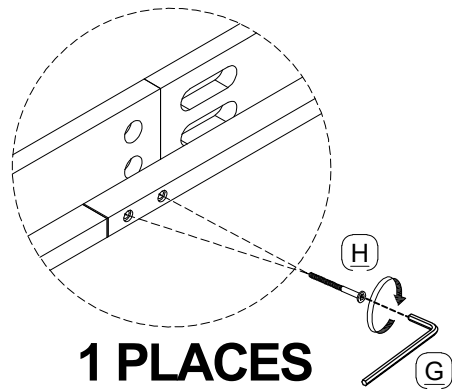
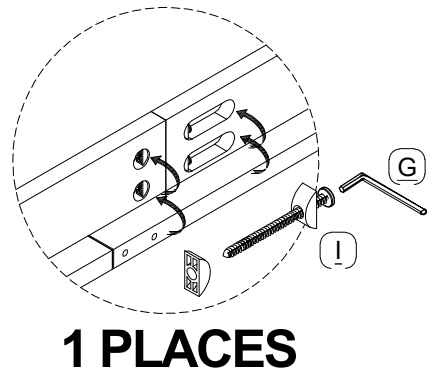
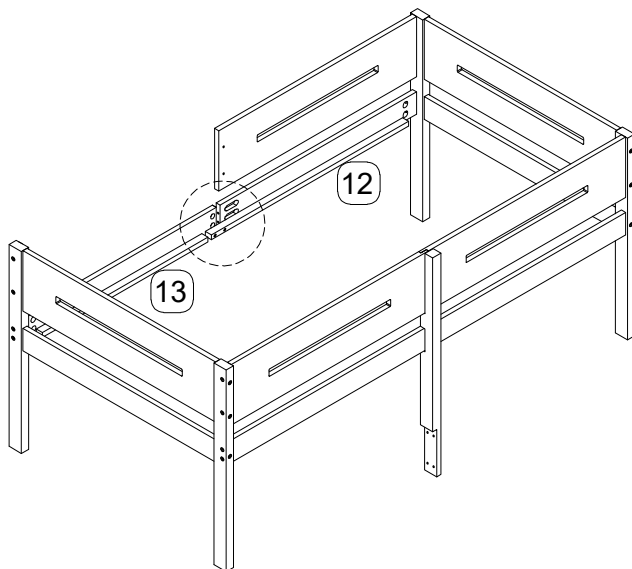


B			6 pcs
---	--	--	-------

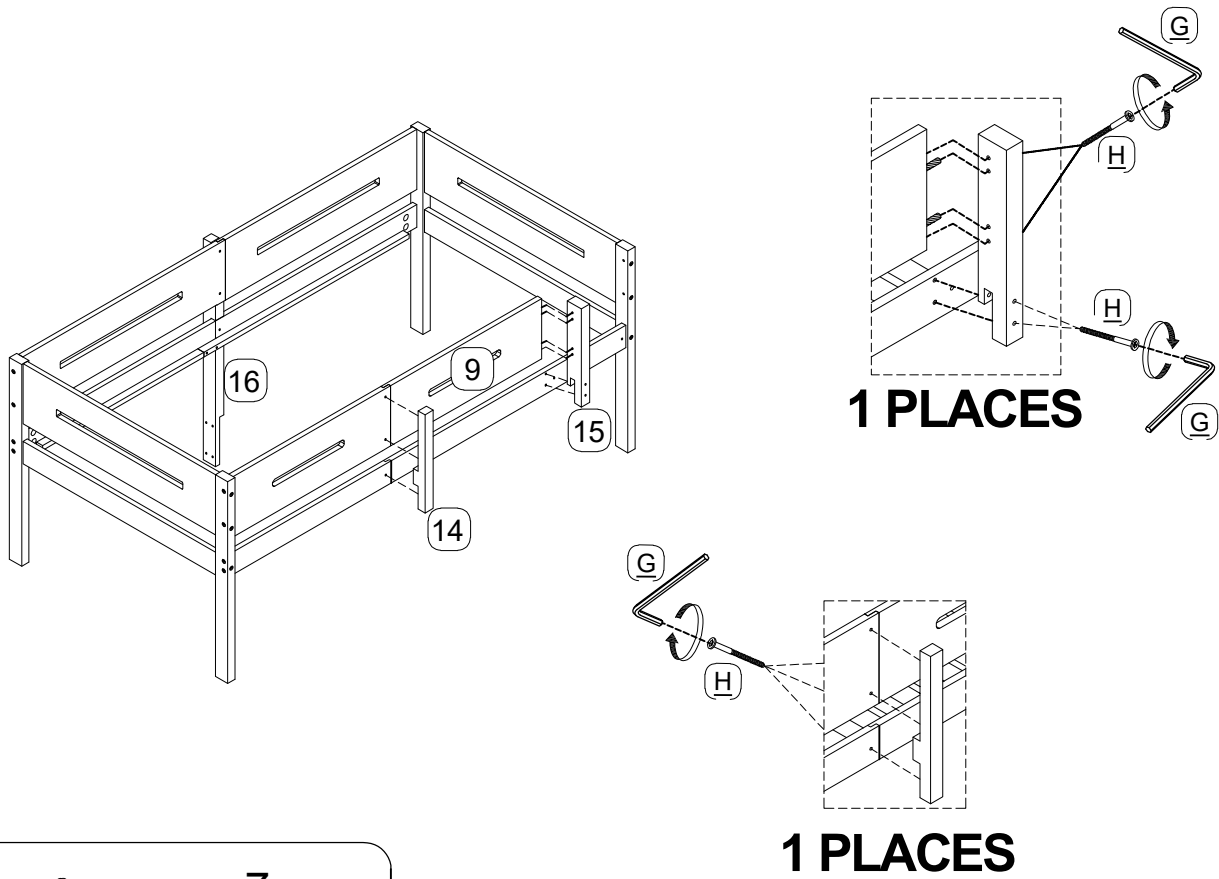
STEP 5: UPPER BED & BACK TOP LEG ASSEMBLY




STEP 6: UPPER FRONT RAIL ASSEMBLY

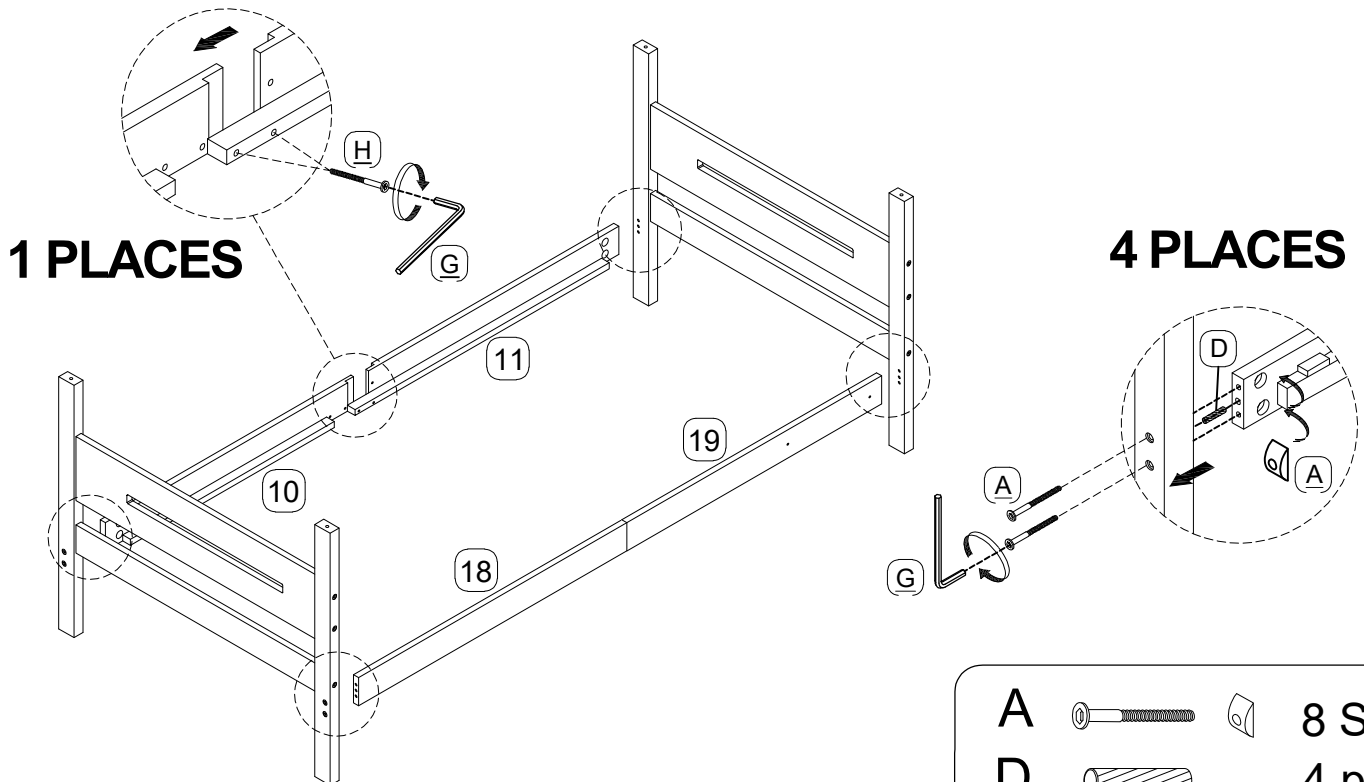


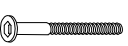

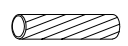

STEP 7: UPPER BED & GUARDRAIL & UPPER FRONT PANEL ASSEMBLY



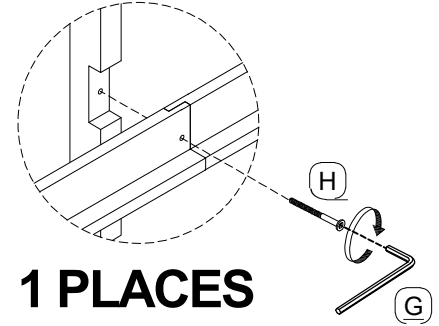
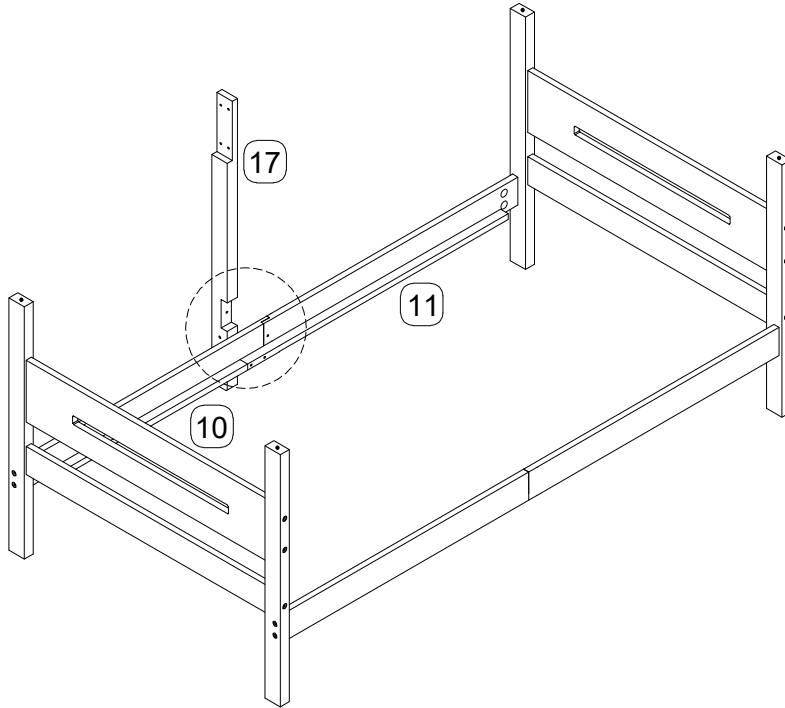
H  7 pcs


STEP 8: BOTTOM BED & RAIL ASSEMBLY



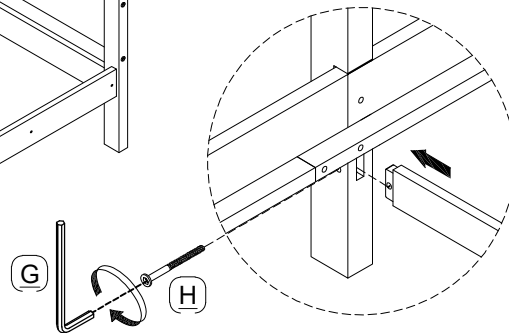
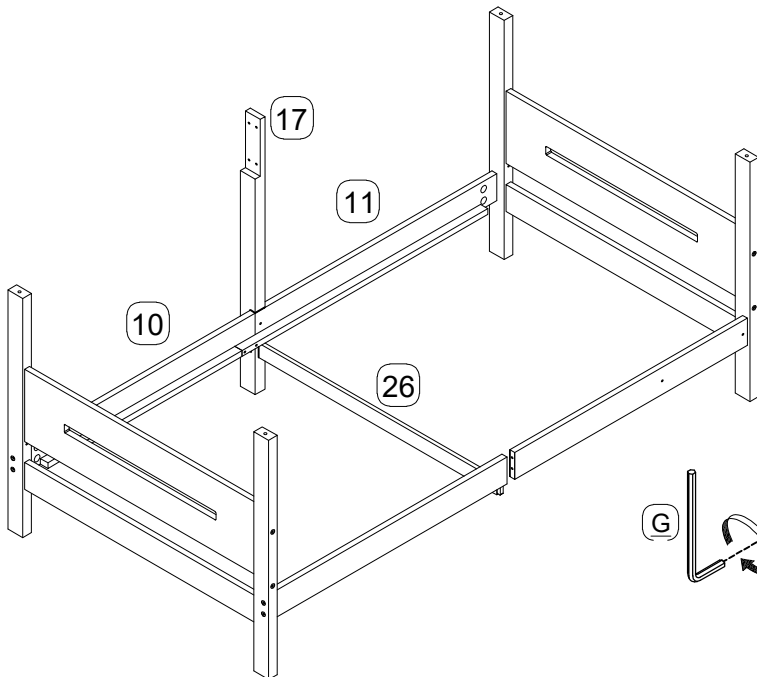
A			8 Set
D			4 pcs
H			2 pcs


STEP 9: BOTTOM BACK LEG ASSEMBLY



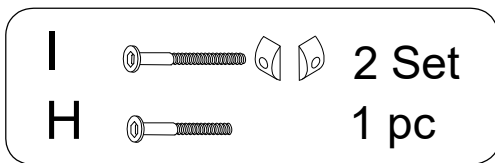
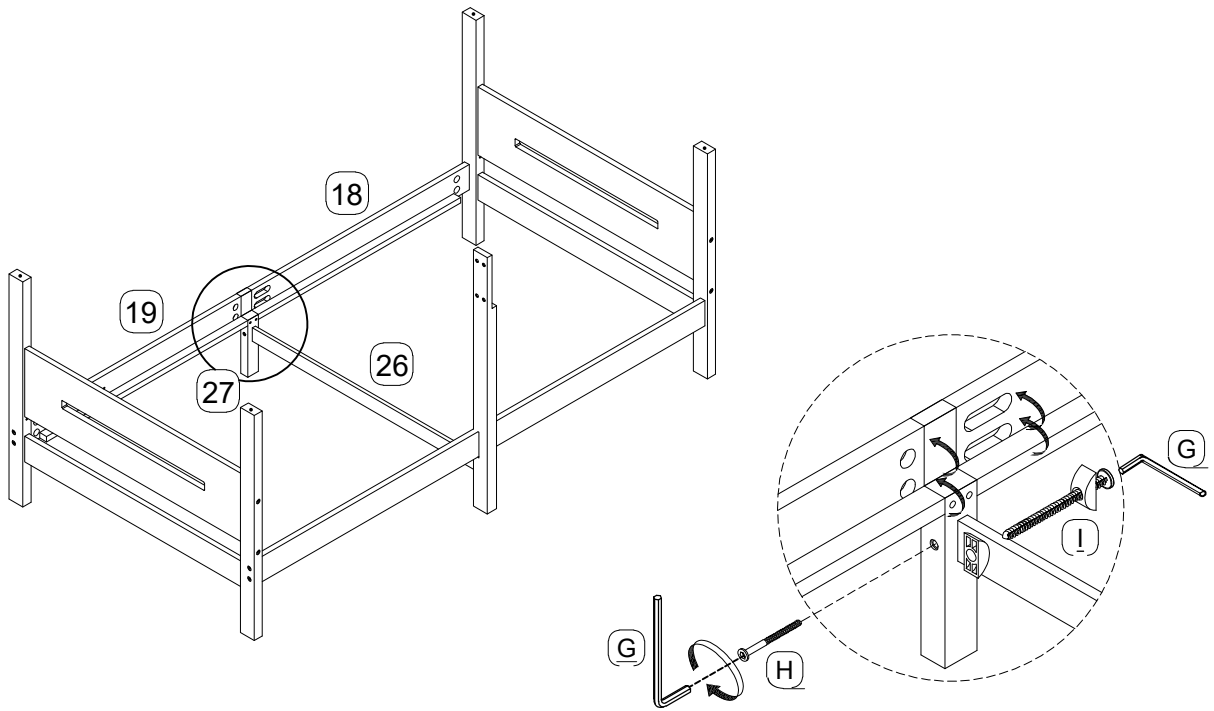
H  1 pc

STEP 10: BOTTOM CENTER RAIL ASSEMBLY

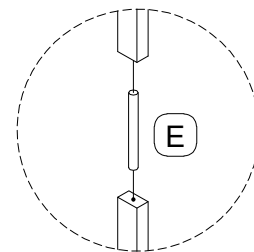
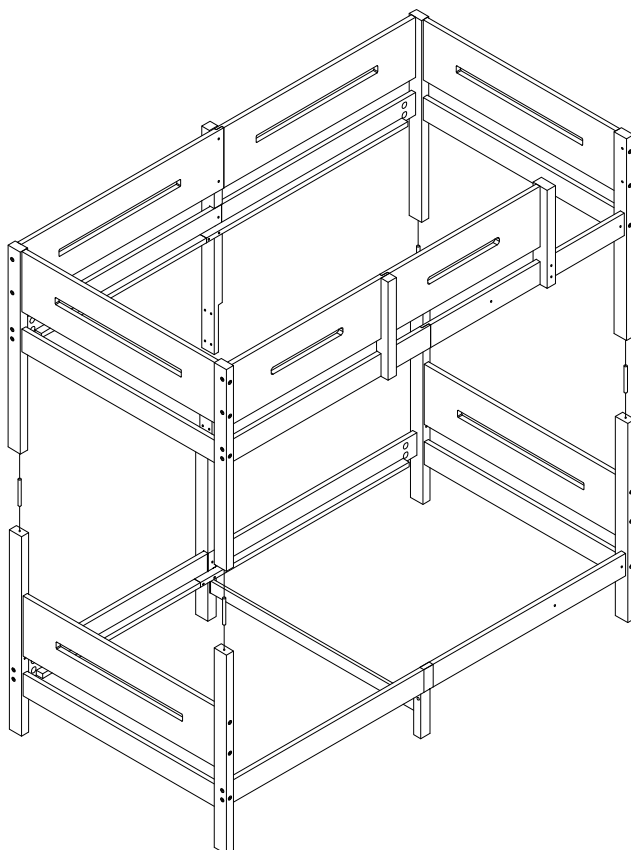


H  1 pc

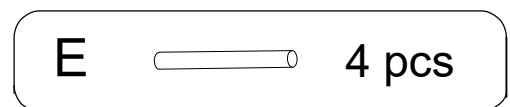
STEP 11: BOTTOM FRONT RAIL LEG ASSEMBLY



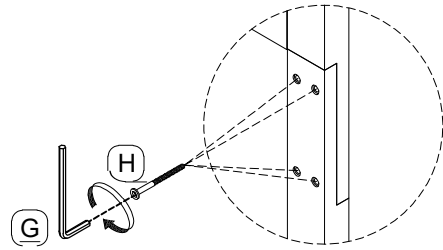
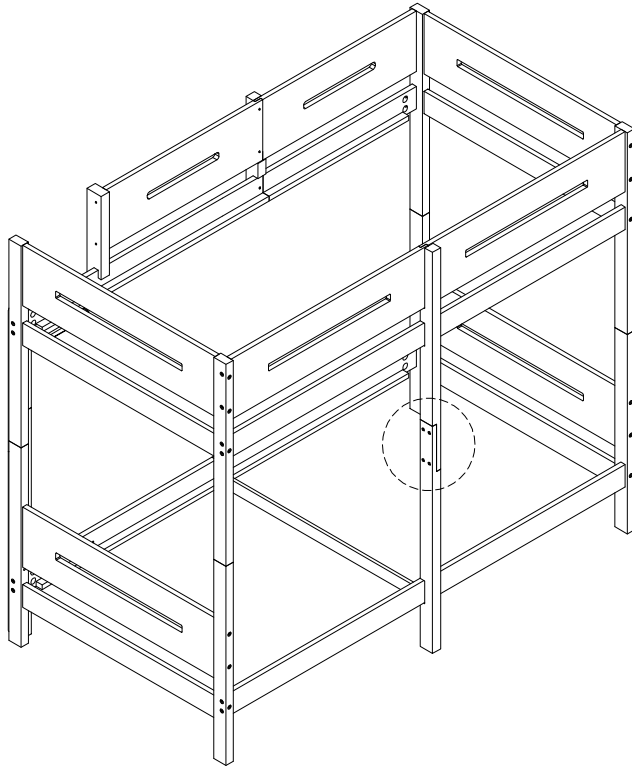
STEP 12: UPPER & BOTTOM BED ASSEMBLY



4 PLACES



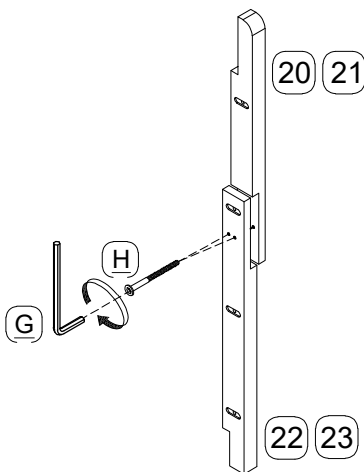
STEP 13: BACK LEG ASSEMBLY



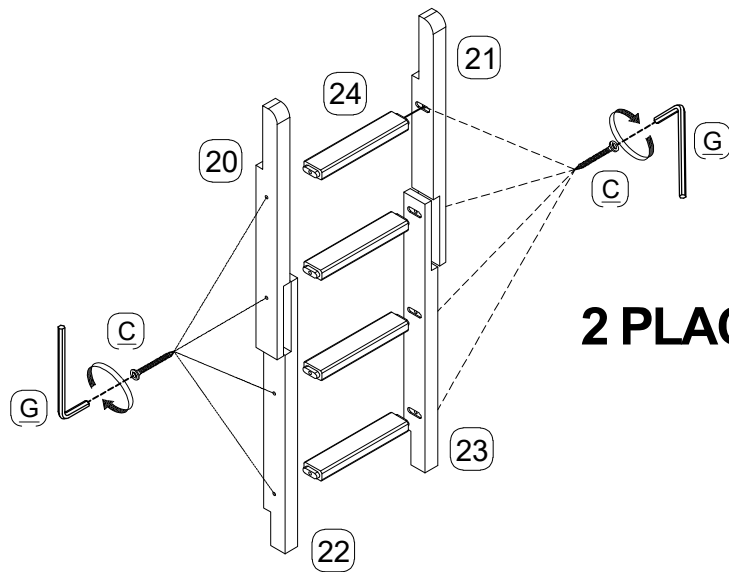
1 PLACES

H  4 pcs

STEP 14: LADDER ASSEMBLY



2 PLACES

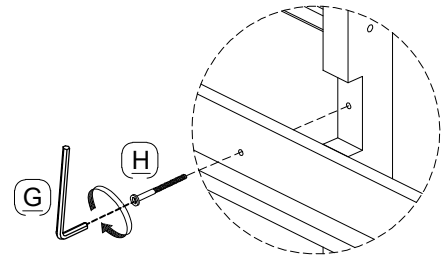
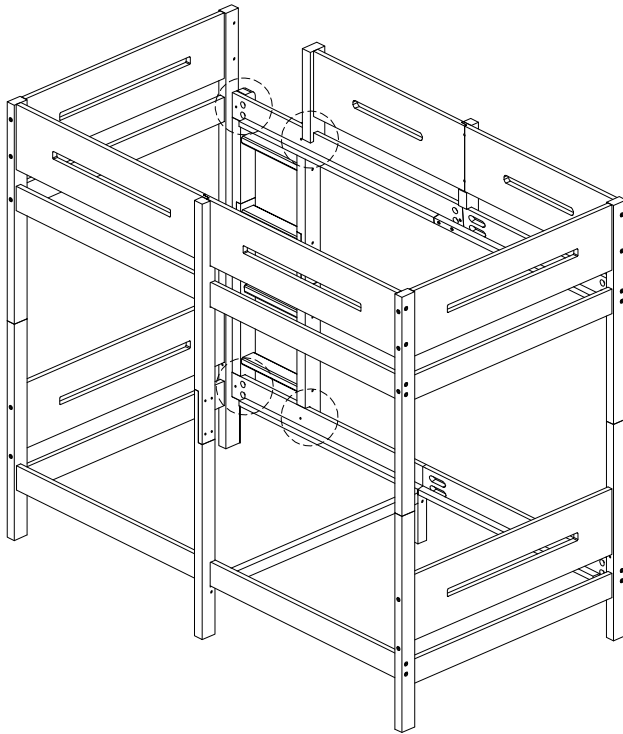


2 PLACES

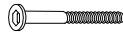
C  8 pcs

H  2 pcs

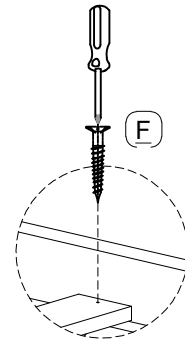
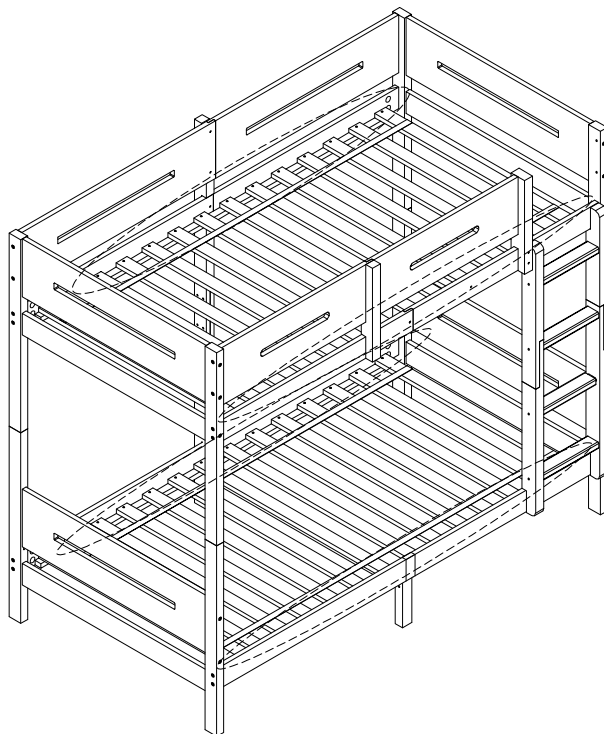
STEP 15: LADDER & BED ASSEMBLY



4 PLACES

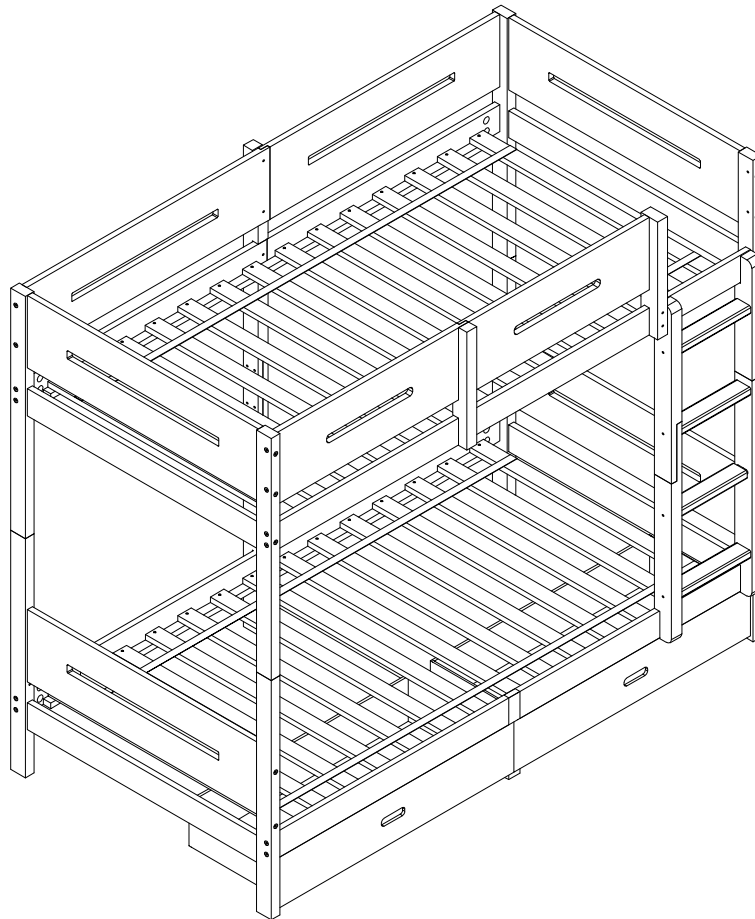
H  **4 pcs**

STEP 16: UPPER & BOTTOM SLATS ASSEMBLY



F  **56 pcs**

STEP 17:



WARNING !!!

To help prevent serious or fatal injuries from entrapment or falls:

1. Follow the information on the warning label appearing on the upper bunk end structure and on the carton. Do not remove warning label from bed.
2. Use only mattress which is 38-1/2" WIDE AND 75" LONG ON UPPER BUNK and LOWER BUNK.
3. Ensure thickness of upper mattress does not exceed 6" and top surface of mattress is at least 5" below the upper edge of guardrails.
4. Do not allow children under 6 years to use the upper bunk.
5. Periodically check and ensure that the guardrail, ladder, and other components are in their proper position, free from damage, and that all connectors are tight.
6. Do not allow horseplay on or under the bed and prohibit jumping on the bed.
7. Always use ladder for entering and leaving upper bunk.
8. Do not use substitute parts. Contact the manufacturer or dealer for replacement parts.
9. Use of a night-light may provide added safety precaution for a child using the upper bunk.
10. Always use guardrails on both long sides of the upper bunk. If the bunk bed will be placed next to a-wall, the guardrail that runs the full length of the bed should be placed against the wall to prevent entrapment between the bed and the wall.
11. The use of water or sleep flotation mattresses is prohibited.

STRANGULATION HAZARD:

12. Never attach or hang items to any part of the bunk bed that are not designed for use with the bed, for example, but not limited to, hooks, belts and jump ropes.
13. Prohibit more than one person on upper bunk.
14. Maximum total weight not to exceed-150 lbs on the upper bunk, and maximum 200 lbs on lower bunk.
15. Keep these instructions for future reference.