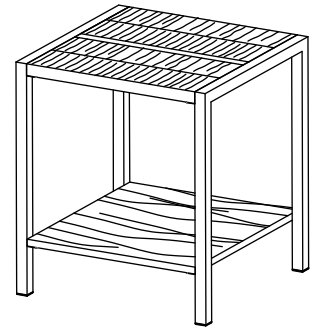


# ITEM NO.84647 END TABLE

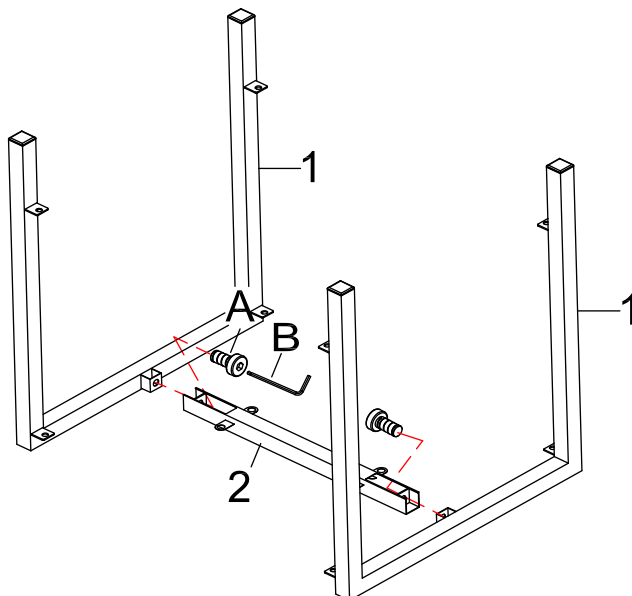


## ASSEMBLY INSTRUCTIONS

1	2	3	4
<b>SIDE PANEL</b> 2PCS	<b>STRETCHER</b> 1PC	<b>WOOD TOP</b> 2PCS	<b>WOOD SHELF</b> 1PC
A	B		
<b>BOLT 1/4" X 5/8"</b> 14PCS	<b>ALLEN WRENCH</b> 1PC		

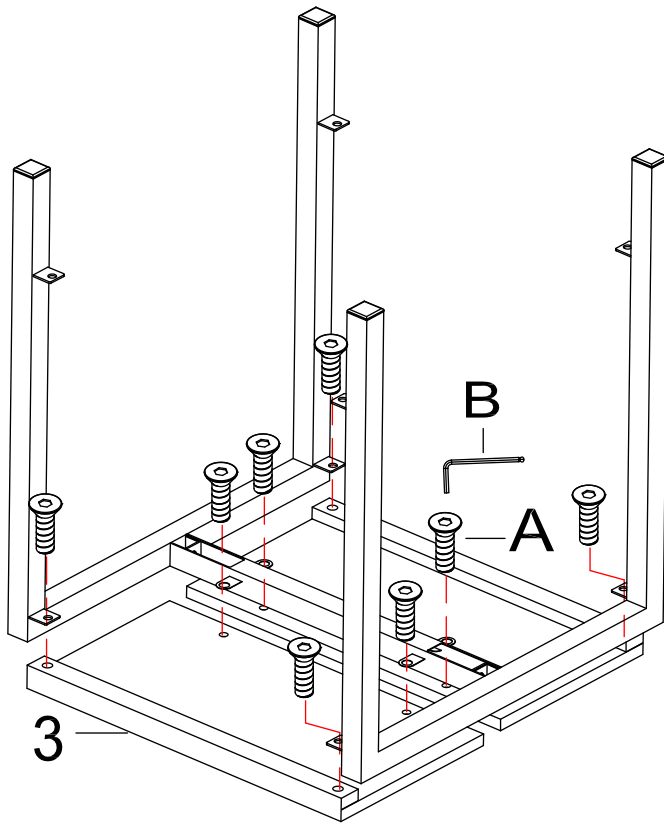
**\*\* Do not tighten screws & bolts until the entire unit is completely assembled. \*\*\***

### STEP 1



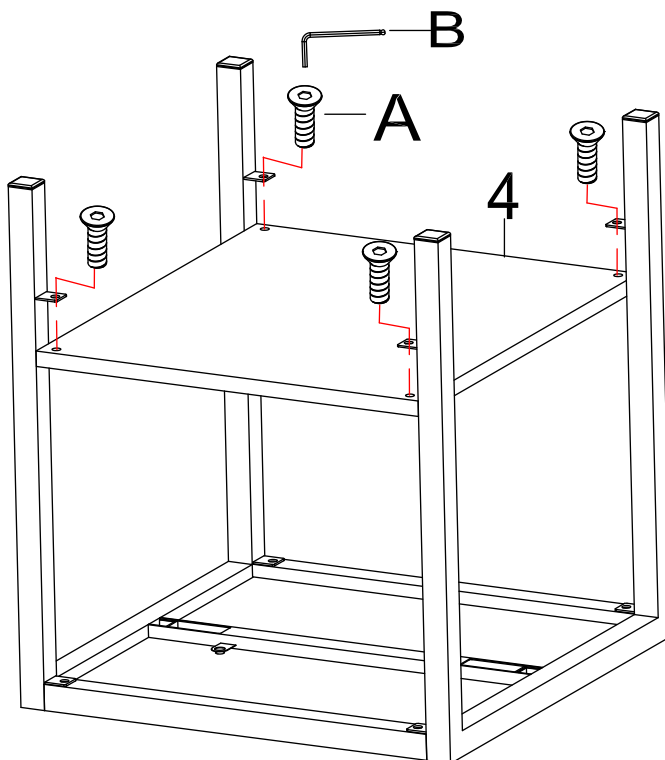
Attach stretcher (2) to side panels (1) by using bolts (A) and allen wrench (B) as shown.

## STEP 2



Attach the metal assembled unit to wood tops (3) by using bolts (A) and allen wrench (B) as shown.

## STEP 3



Attach wood shelf (4) to side panels (1) by using bolts (A) and allen wrench (B) as shown.

Tighten all bolts and carefully turn the assembled unit upright.

The end table is now complete.