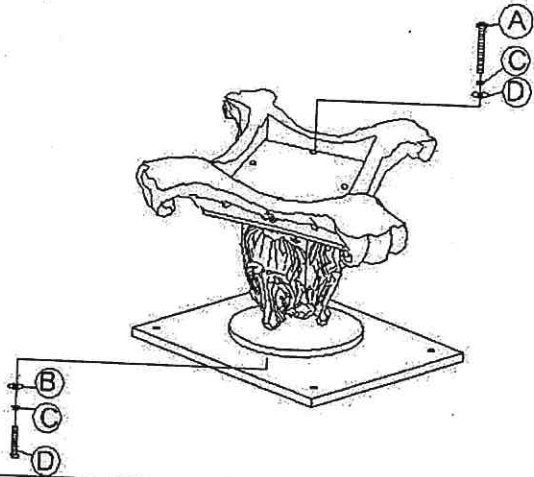


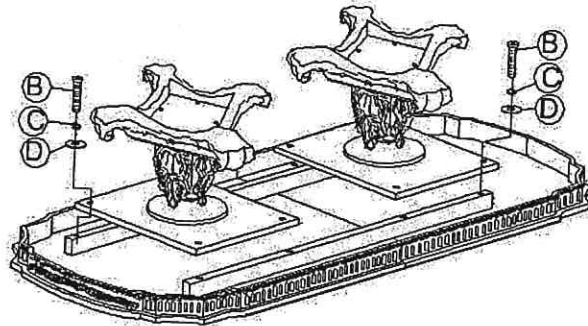
63000T

# ASSEMBLY INSTRUCTION

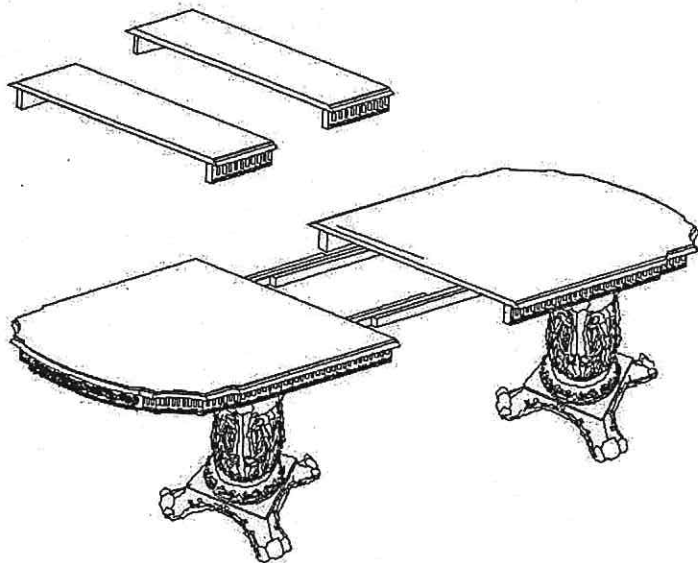
Step 1:



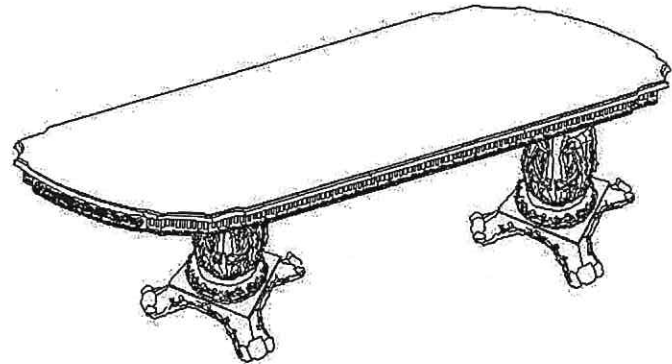
Step 2:



Step 3:



Finish :



## Hardware List

No.:	Description	Drawing	Size	Q'ty
A	Short Bolt		Ø5/16"X3-1/4"	8
B	Short Bolt		Ø5/16"X2"	16
C	Lock Washer		Ø5/16"X12mm	24
D	Flat Washer		Ø5/16"X22mm	24
E	Allen Wrench		5mm	1