

# ASSEMBLY INSTRUCTIONS

**MODEL : 0240A  
DRESSER**

**STEP 1 :** Pull the drawer and take out the Bunfoot carton ( B ). Attach the Metal Leg ( B ) at the bottom Dresser ( A ) by following the marking line provided used CSK screw (1) and tighten with screw driver. (NOT PROVIDED)

**(BOX 1)**

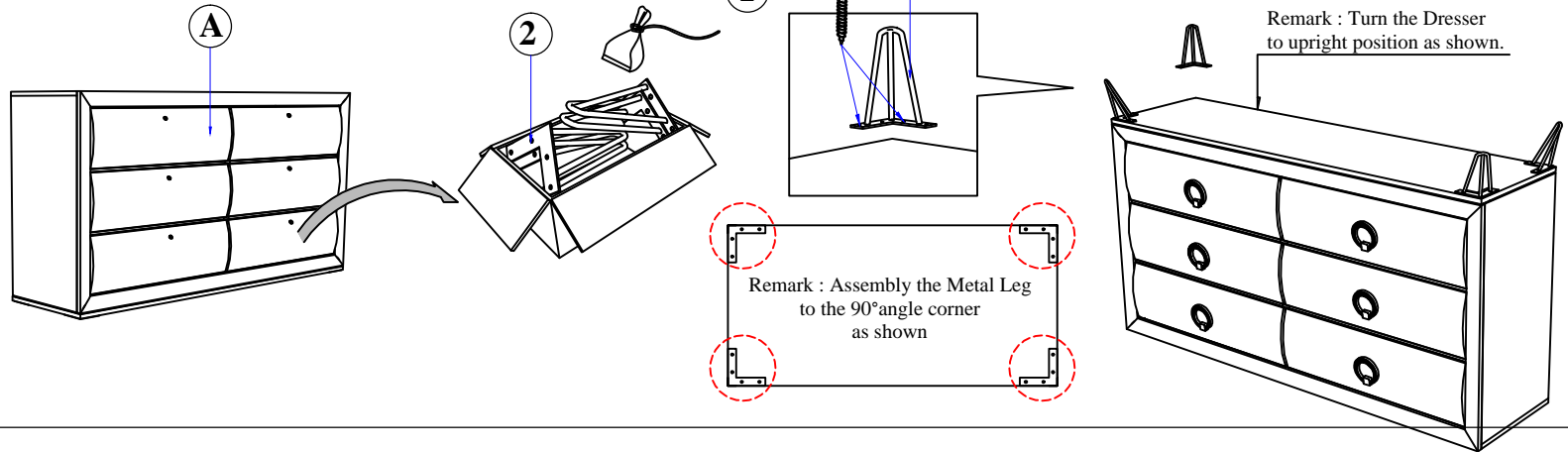
**BOX OF CHEST**

| NO | ITEM    | QTY  |
|----|---------|------|
| A  | DRESSER | 1 pc |

**(BOX 1)**

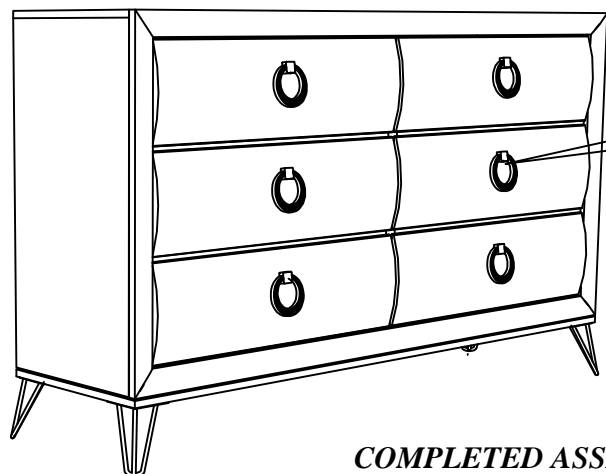
**HARDWARE LIST**

| NO | ITEM                                     | QTY       |
|----|--|-----------|
| 1  | Flat Head Chipboard Screw<br>m4x20mm Rbw | 16<br>PCS |
| 2  | Metal Leg                                | 4<br>pcs  |

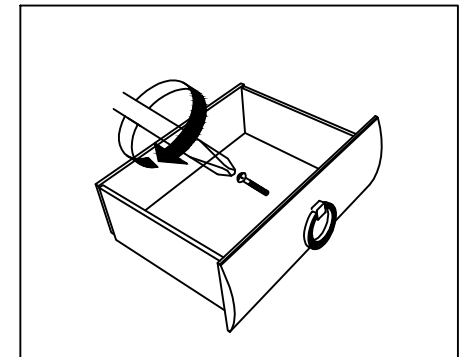
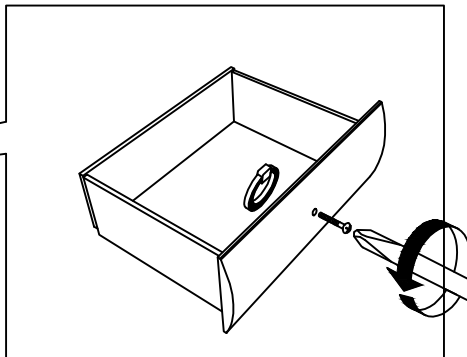


**STEP 1 :**

**STEP 2 :**



**COMPLETED ASSEMBLY**



**NOTE :** MUST TIGHTEN SCREWS **PERIODICALLY** WITH USE SCREW WILL BECOME LOOSE CHECK TIGHTNESS OF ALL SCREW EVERY 6-8 WEEKS.