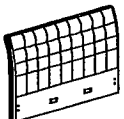

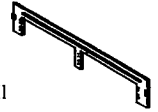


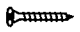
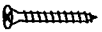
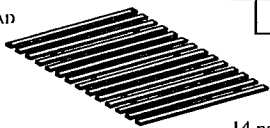

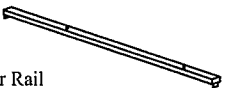
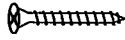
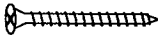

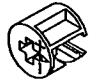

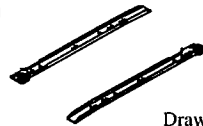
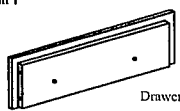
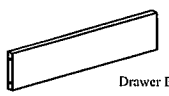
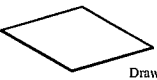
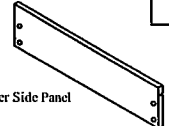

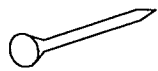



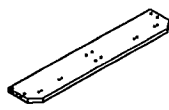
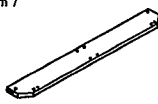

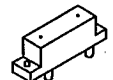
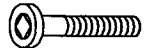
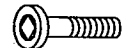




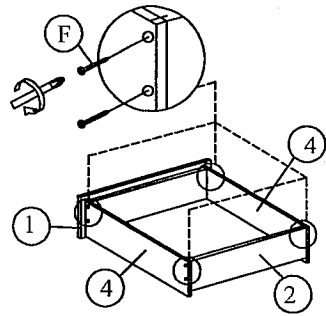


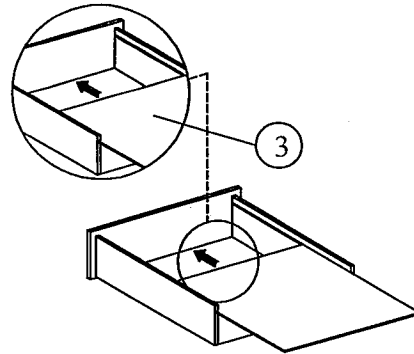
25677 EK

MODEL: CF 8732 (6')		Assembly Instruction																					
Item AA		1 pc	Item AB		1 pc	Item AC		2 pcs	Item A		36 pcs	Item B		14 pcs	Item C		60 pcs	Item D		4 pcs			
Headboard		Footboard		Side Rail		Plastic Dowel (8 x 25)		JCBC W M6 x 40		CSK M3.5 x 16 mm		CSK M4 x 25 mm											
Item AD		1 pc	Item AE		4 pcs	Item AF		2 pcs	Item E		50 pcs	Item F		32 pcs	Item G		10 pcs	Item H		10 pcs			
14 pcs Slat		Center Rail		CSK M4 x 32 mm		CSK M4 x 50 mm		Mini Fix Bolt		Mini Fix Housing													
Item AG		8 pcs	Item AH		8 pcs																		
Drawer Slide 500		Drawer Slide 500																					
Item 1		4 pcs	Item 2		4 pcs	Item 3		4 pcs	Item 4		8 pcs	Item I		10 pcs	Item J		56 pcs	Item K		17 pcs	Item L		1 pc
Drawer Front Panel		Drawer Back Panel		Drawer Bottom Panel		Drawer Side Panel		Mini Fix Cap		Power Nail 5/8		White Nail Leg		Allen Key 65 mm									
Item 5		8 pcs	Item 6		1 pc	Item 7		2 pcs	Item 8		4 pcs	Item M		8 pcs	Item N		4 pcs	Item O		8 pcs	Item P		8 pcs
Plastic Pin 25 mm		JCBC M6 x 40		JCBC M6 x 30		M6 Flat Washer																	
Item 9		2 pcs	Item 10		1 pc	Item 11		1 pc															

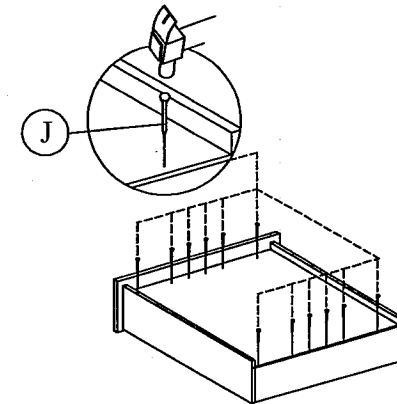
Step 1



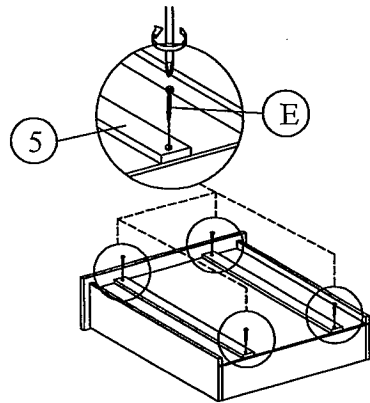
Step 2



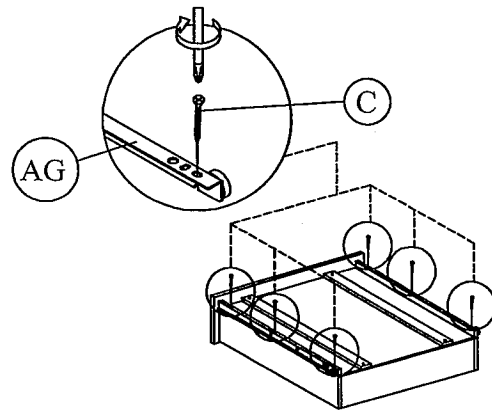
Step 3



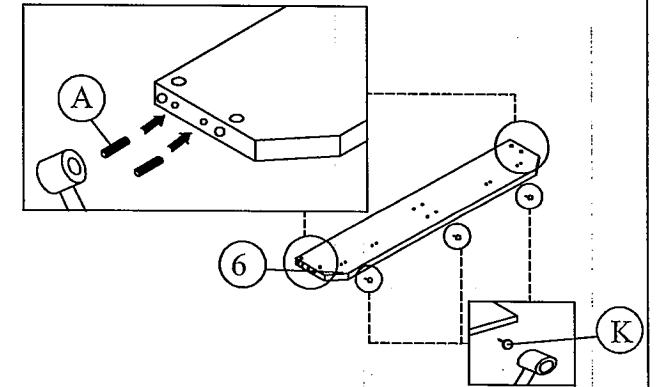
Step 4

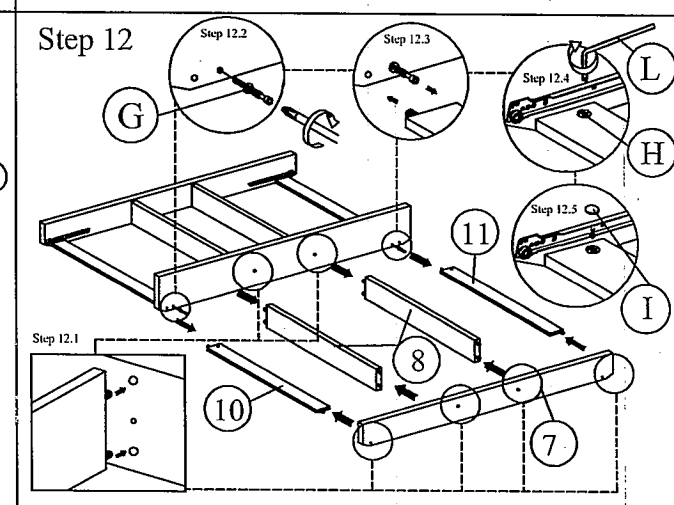
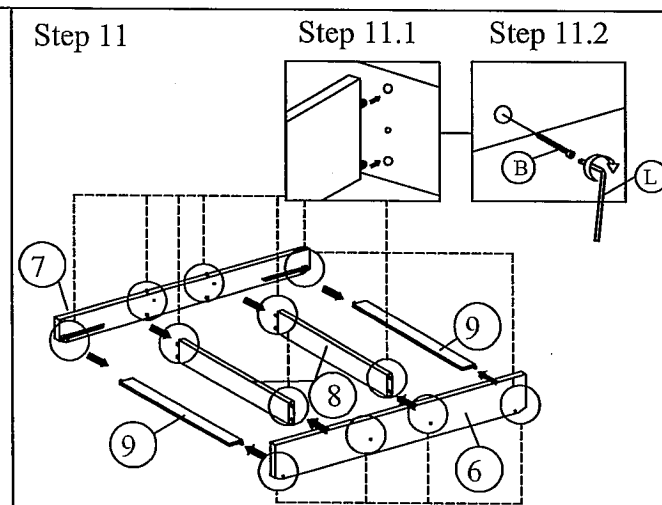
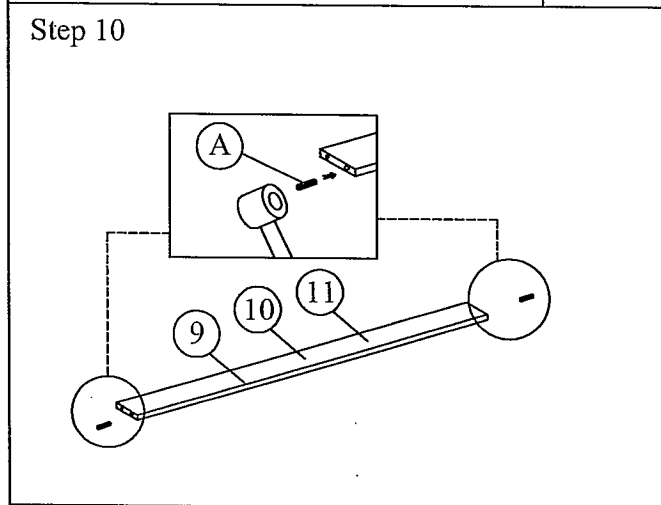
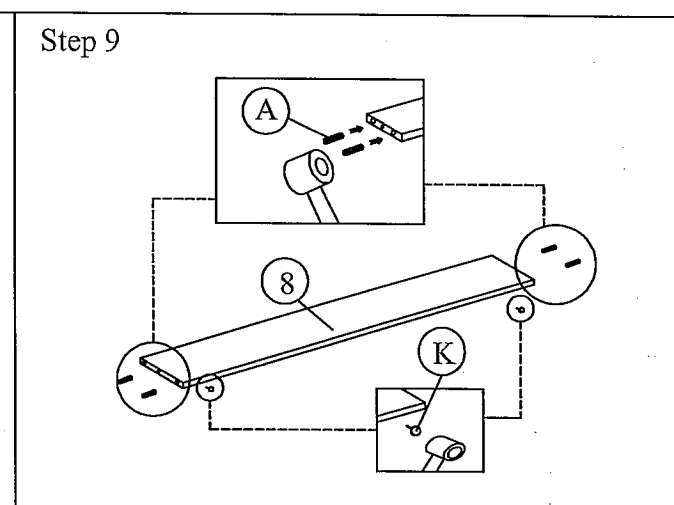
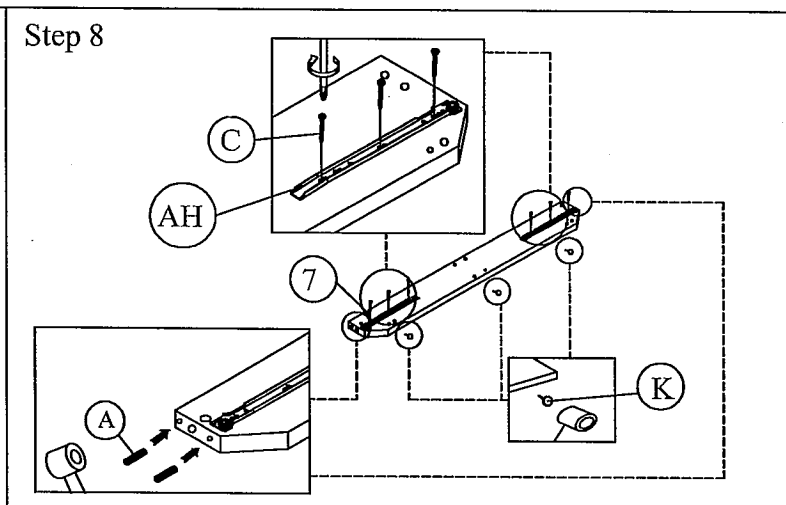
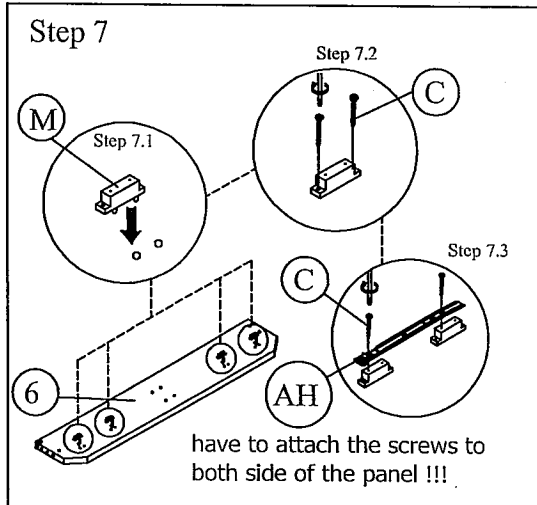


Step 5

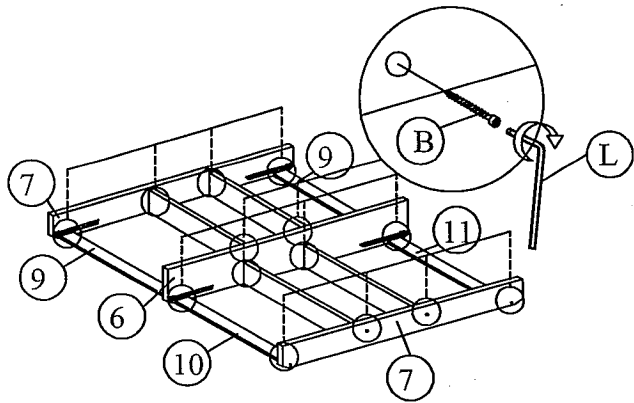


Step 6

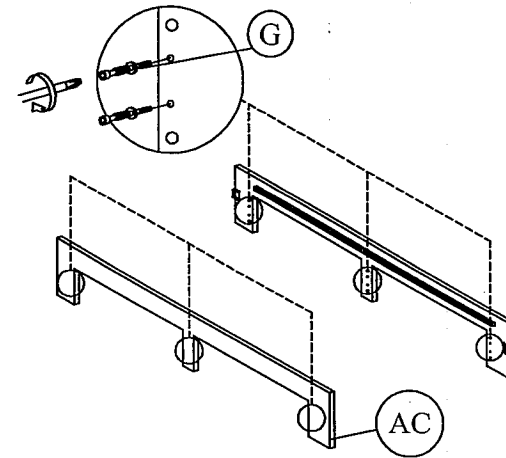




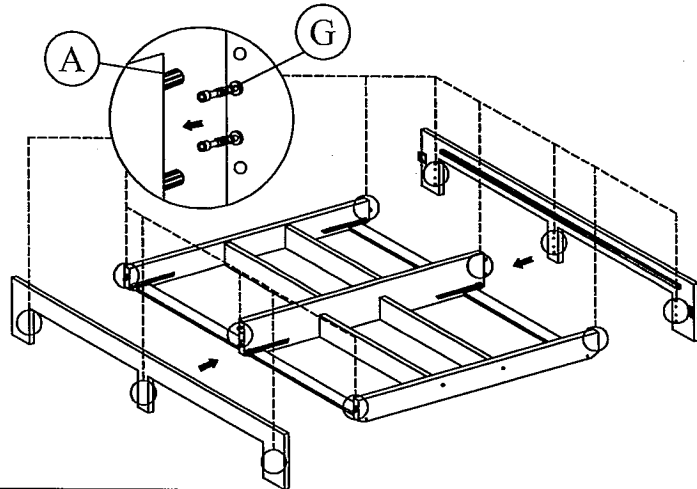
Step 13



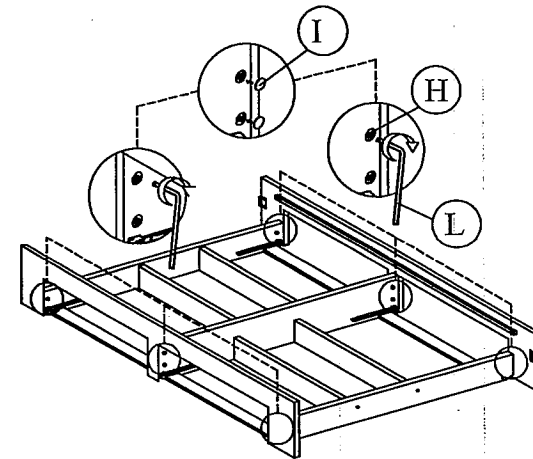
Step 14



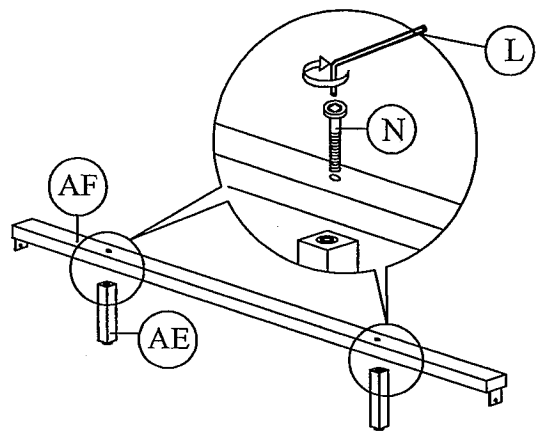
Step 16



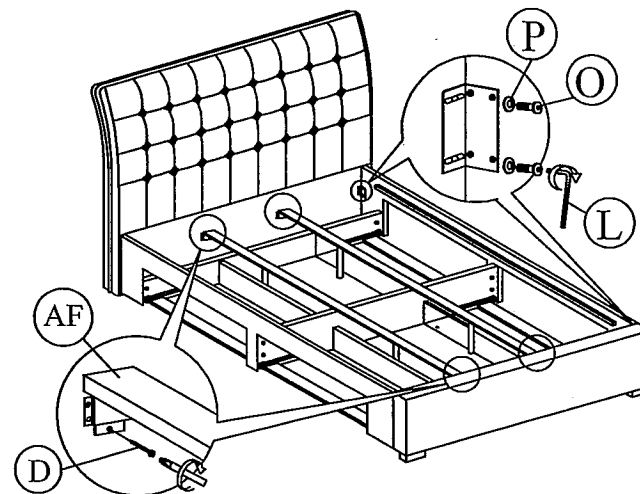
Step 17



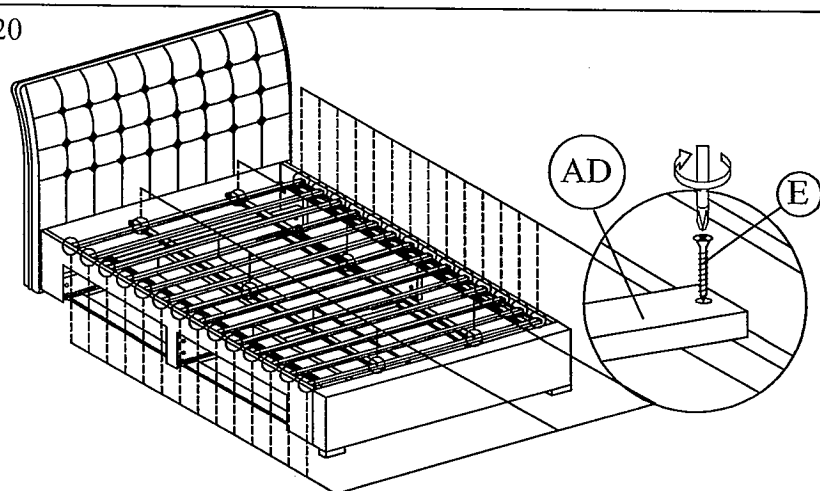
Step 18



Step 19



Step 20



Step 21

