

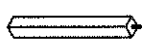


ASSEMBLY INSTRUCTION

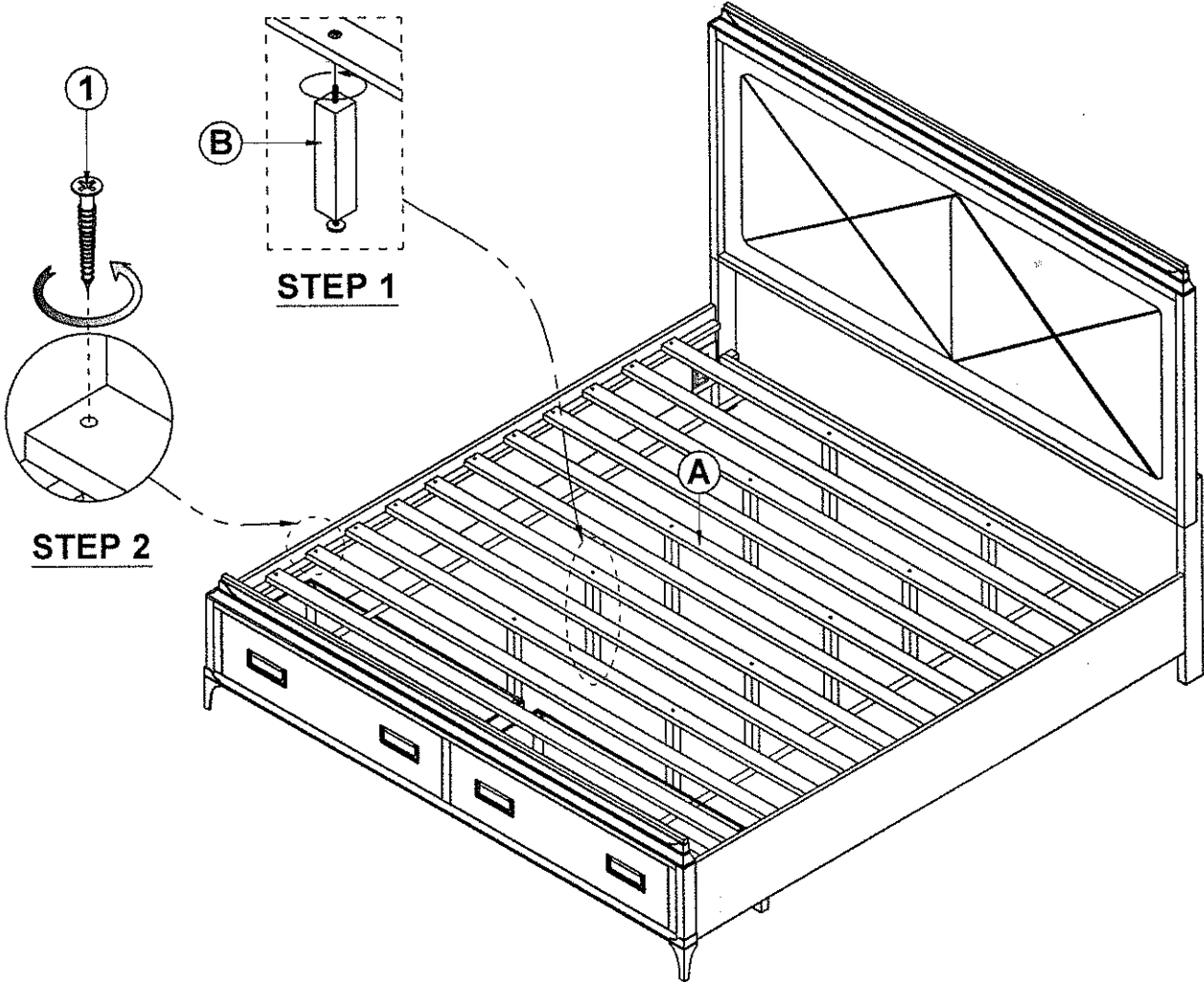
MODEL: #23917/ 18/ 19 EASTERN KING BED

Thank you for purchasing this quality product. Be sure to check all packing material carefully for small parts which may have come loose inside the carton during shipment. Separate, identify and count all parts and metal hardware. Compare with parts list to be sure all parts are present. If any part(s) are missing or damaged, please contact your local furniture dealer. For efficient and speedy service, please indicate the model number and code letter of part(s) needed.

*** Do not fully tighten screws until fully assembled ***

PARTS LIST				HARDWARE LIST			
NO	DESCRIPTION	SKETCH	QTY	NO	DESCRIPTION	SKETCH	QTY
A	SLATS		1 Set	1	SCREW (#8*35mm)		26 Pcs
B	SUPPORT LEGS		10 Pcs				

23919-K/EK-FB



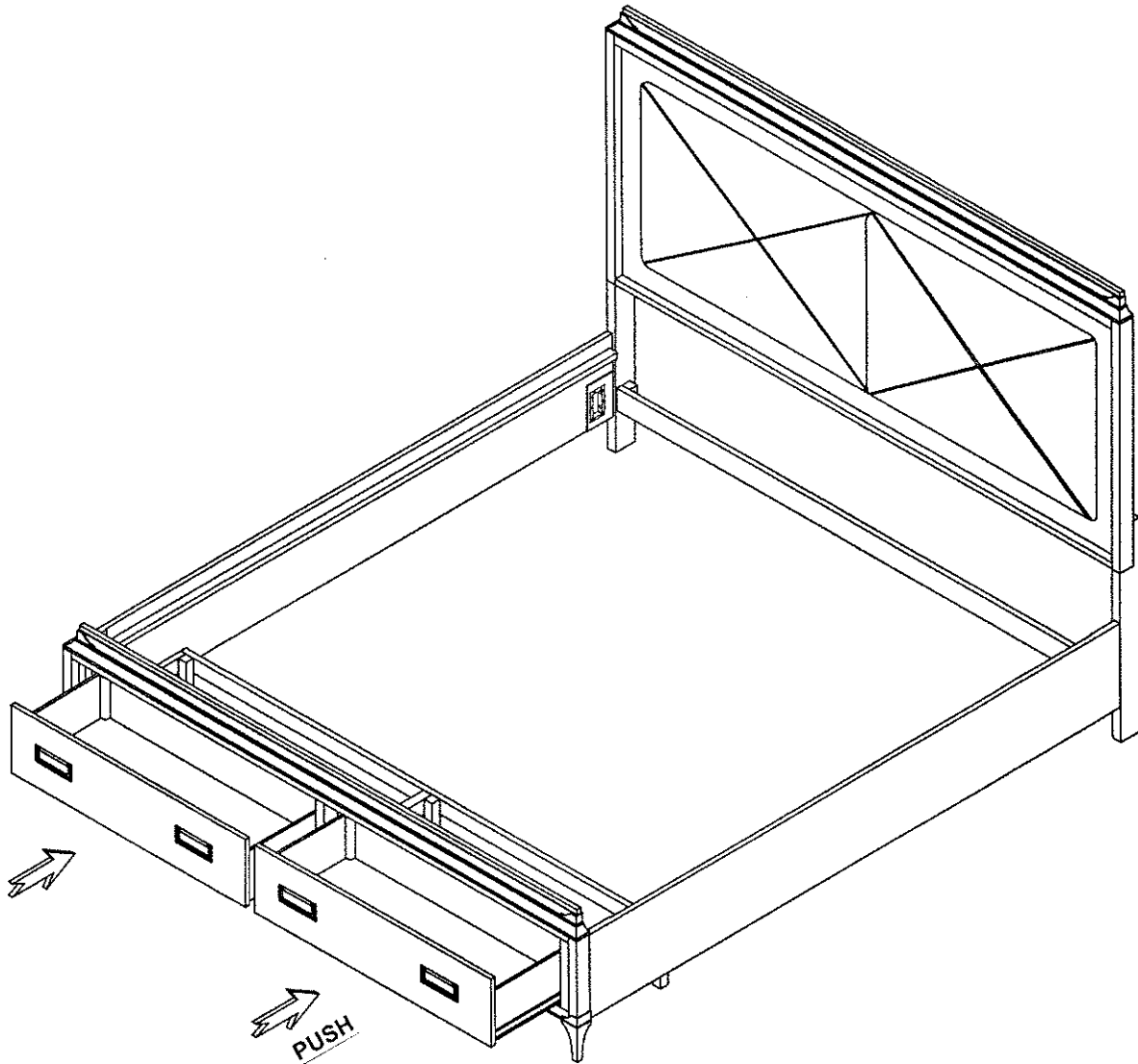
ASSEMBLY INSTRUCTION

MODEL: #23917/ 18/ 19 EASTERN KING BED

Thank you for purchasing this quality product. Be sure to check all packing material carefully for small parts which may have come loose inside the carton during shipment. Separate, identify and count all parts and metal hardware. Compare with parts list to be sure all parts are present. If any part(s) are missing or damaged, please contact your local furniture dealer. For efficient and speedy service, please indicate the model number and code letter of part(s) needed.

*** Do not fully tighten screws until fully assembled ***

STEP 8













ASSEMBLY INSTRUCTION

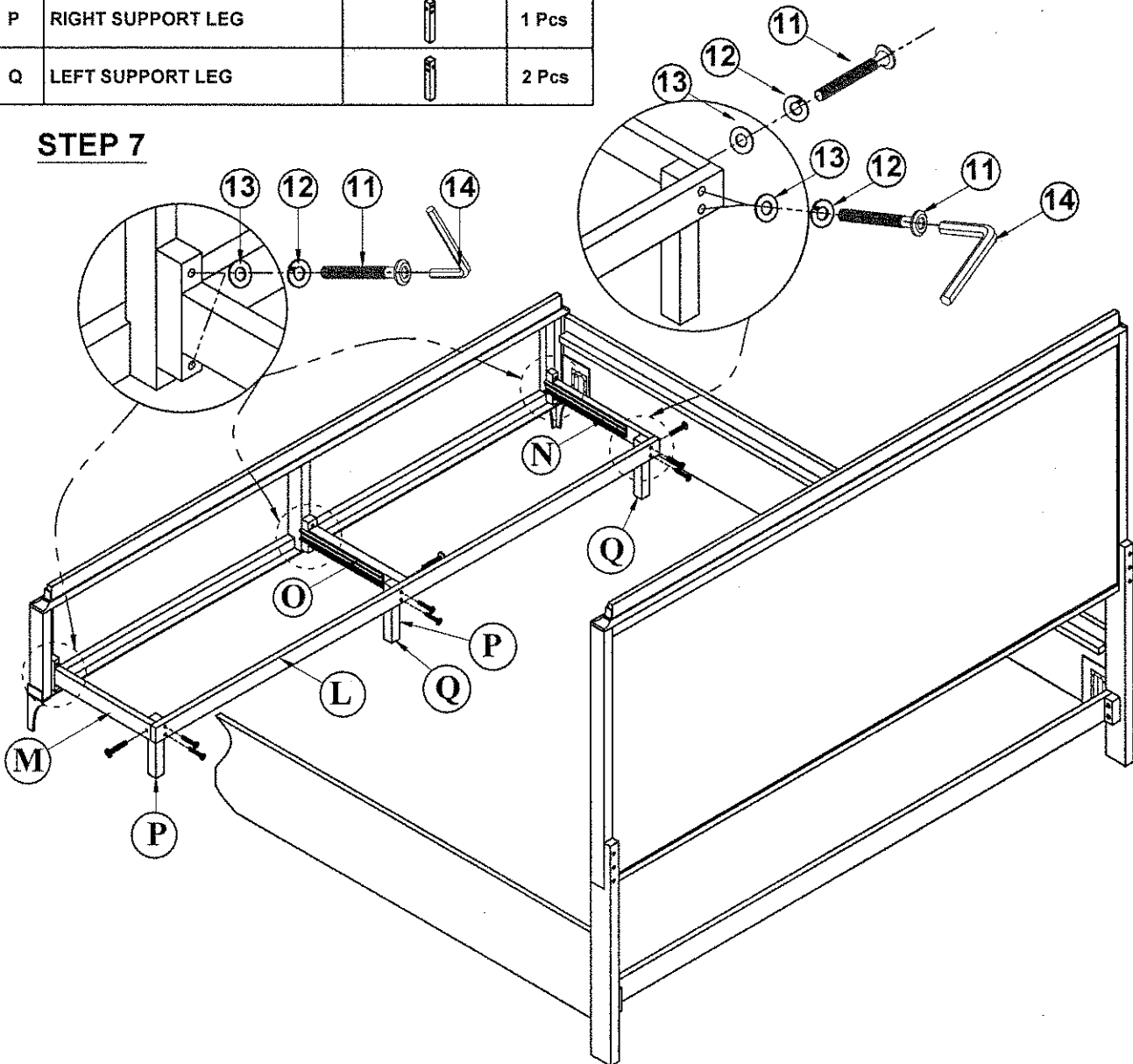
MODEL: #23917/ 18/ 19 EASTERN KING BED

Thank you for purchasing this quality product. Be sure to check all packing material carefully for small parts which may have come loose inside the carton during shipment. Separate, identify and count all parts and metal hardware. Compare with parts list to be sure all parts are present. If any part(s) are missing or damaged, please contact your local furniture dealer. For efficient and speedy service, please indicate the model number and code letter of part(s) needed.

*** Do not fully tighten screws until fully assembled ***

PARTS LIST				HARDWARE LIST			
NO	DESCRIPTION	SKETCH	QTY	NO	DESCRIPTION	SKETCH	QTY
L	CROSSBAR		1 Pc	11	ALLEN BOLT (Ø1/4*45mm)		15Pcs
M	SIDE OF THE CROSSBAR (R)		1 Pc	12	SPRING WASHER (Ø1/4*16*2mm)		15Pcs
N	SIDE OF THE CROSSBAR (L)		1 Pc	13	FLAT WASHER (Ø1/4*11*2mm)		15Pcs
O	SIDE OF THE CROSSBAR (MID)		1 Pcs	14	ALLEN KEY (M4)		1 Pc
P	RIGHT SUPPORT LEG		1 Pcs				
Q	LEFT SUPPORT LEG		2 Pcs				

STEP 7





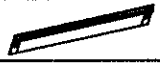




ASSEMBLY INSTRUCTION

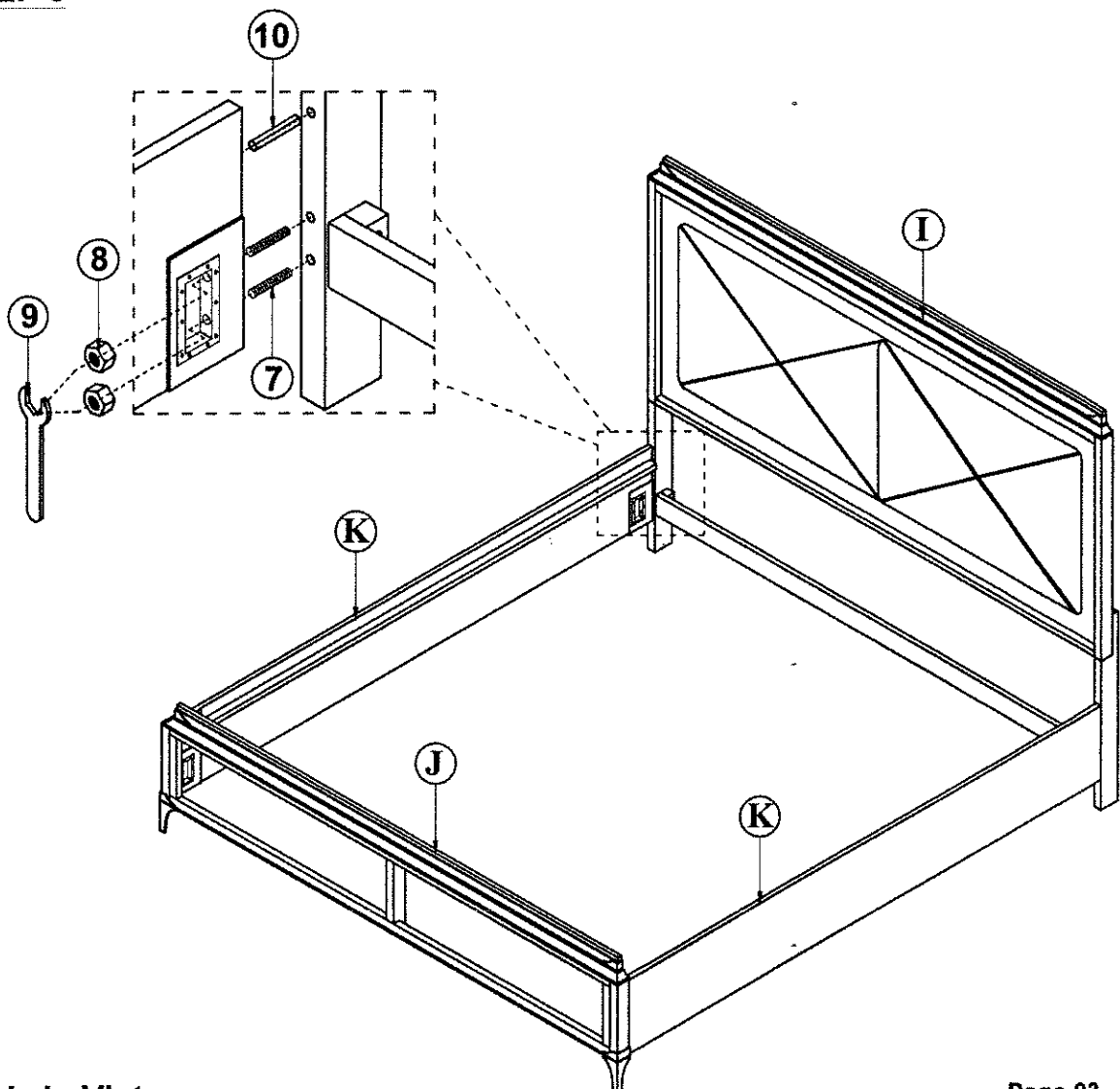
MODEL: #23917/ 18/ 19 EASTERN KING BED

Thank you for purchasing this quality product. Be sure to check all packing material carefully for small parts which may have come loose inside the carton during shipment. Separate, identify and count all parts and metal hardware. Compare with parts list to be sure all parts are present. If any part(s) are missing or damaged, please contact your local furniture dealer. For efficient and speedy service, please indicate the model number and code letter of part(s) needed.

*** Do not fully tighten screws until fully assembled ***

PARTS LIST				HARDWARE LIST			
NO	DESCRIPTION	SKETCH	QTY	NO	DESCRIPTION	SKETCH	QTY
I	HEADBOARD		1 Pc	7	BOLT (Ø5/16*90mm)		8 Pcs
J	FOOTBOARD		1 Pc	8	NUT (Ø5/16*15*10mm)		8 Pcs
K	SIDE RAILS		2 Pcs	9	SPANNER WRENCH (M12)		1 Pc
				10	WOODEN PEGS (Ø10*40mm)		4 Pcs

STEP 6






ASSEMBLY INSTRUCTION

MODEL: #23919 EASTERN KING BED FOOTBOARD





Thank you for purchasing this quality product. Be sure to check all packing material carefully for small parts which may have come loose inside the carton during shipment. Separate, identify and count all parts and metal hardware. Compare with parts list to be sure all parts are present. If any part(s) are missing or damaged, please contact your local furniture dealer. For efficient and speedy service, please indicate the model number and code letter of part(s) needed.

*** Do not fully tighten screws until fully assembled ***

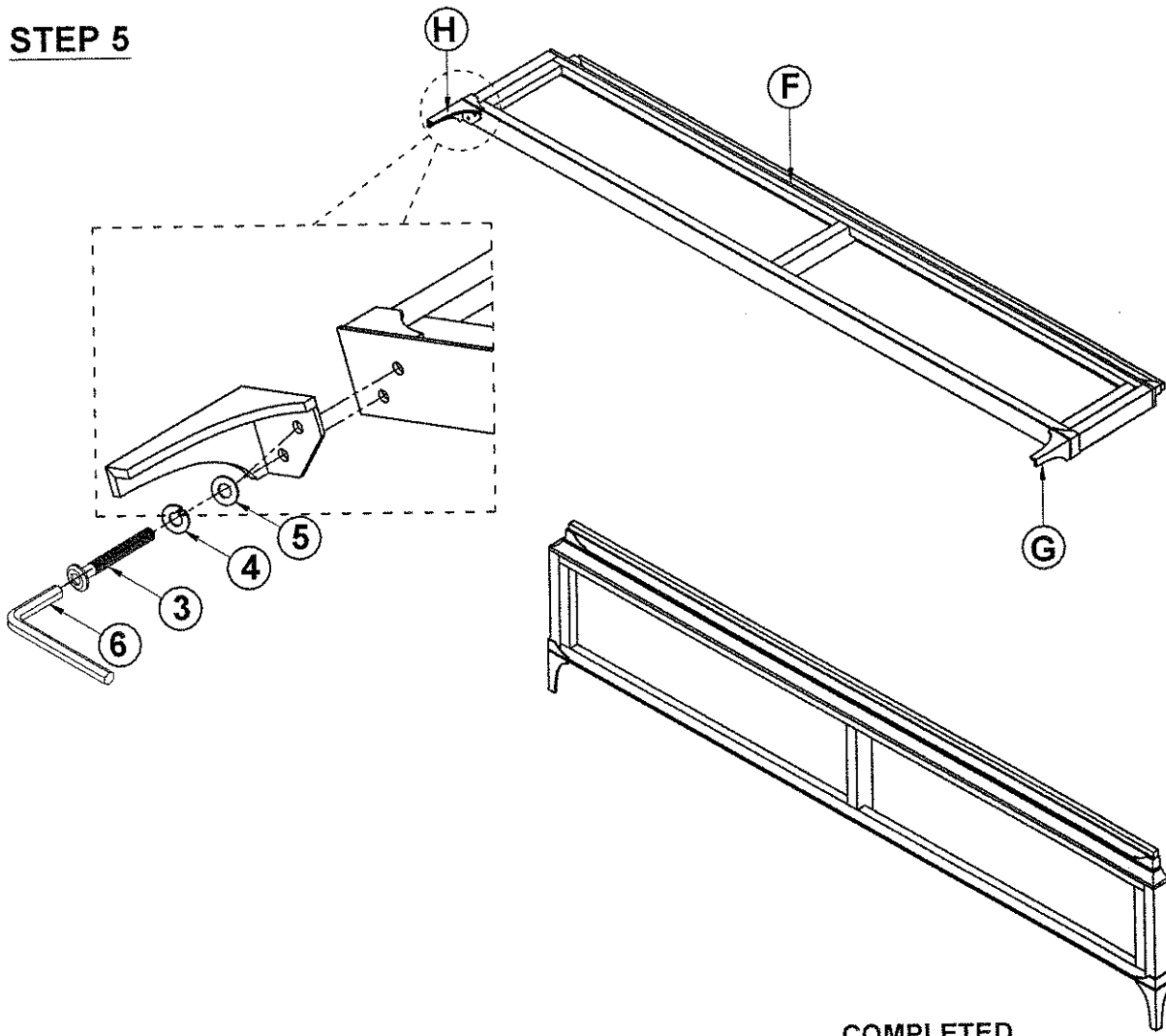
PARTS LIST

NO	DESCRIPTION	SKETCH	QTY
F	FOOTBOARD		1 Pc
G	RIGHT LEG		1 Pc
H	LEFT LEG		1 Pc

HARDWARE LIST

NO	DESCRIPTION	SKETCH	QTY
3	ALLEN BOLT (Ø5/16*20mm)		4Pcs
4	SPRING WASHER (Ø5/16*11*2mm)		4Pcs
5	FLAT WASHER (Ø5/16*16*2mm)		4Pcs
6	ALLEN KEY (M4)		1 Pc

STEP 5



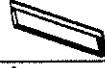




COMPLETED



ASSEMBLY INSTRUCTION

MODEL: #23919 EASTERN KING BED FOOTBOARD

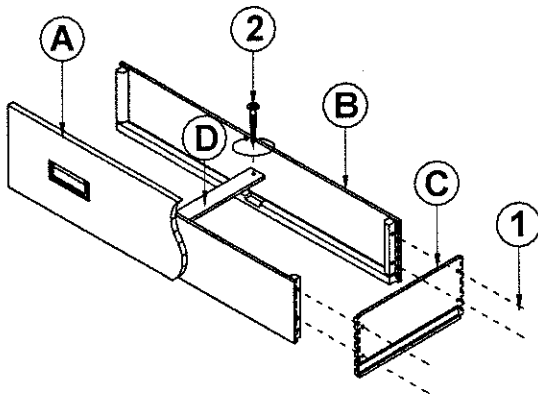
Thank you for purchasing this quality product. Be sure to check all packing material carefully for small parts which may have come loose inside the carton during shipment. Separate, identify and count all parts and metal hardware. Compare with parts list to be sure all parts are present. If any part(s) are missing or damaged, please contact your local furniture dealer. For efficient and speedy service, please indicate the model number and code letter of part(s) needed.

*** Do not fully tighten screws until fully assembled ***

PARTS LIST			
		SKETCH	QTY
A	DRAWER FRONT		2 Pcs
B	BACK PANEL OF DRAWER		2 Pcs
C	SIDE PANEL OF DRAWER		4 Pcs
D	BOTTOM SUPPORT		2 Pcs
E	BOTTOM PANEL OF DRAWER		2 Pcs

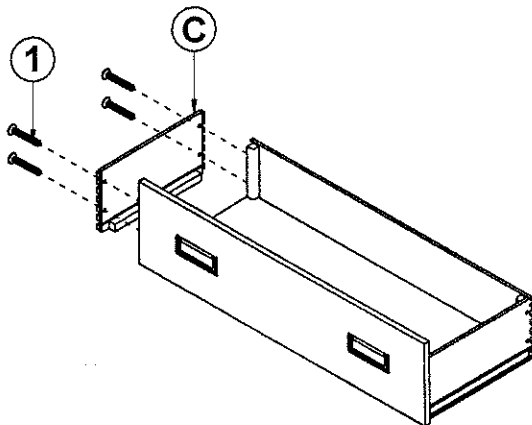
HARDWARE LIST			
NO	DESCRIPTION	SKETCH	QTY
1	PHILLIPS SCREW (Ø5/32*22mm)		16 Pcs
2	SCREW (#8 * 15mm)		4 Pcs

STEP 2

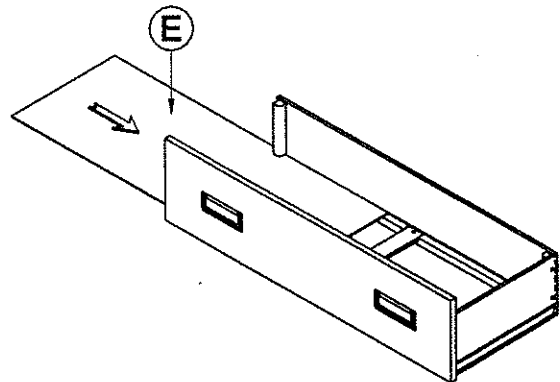


STEP 1

STEP 4



STEP 3



COMPLETED