

MAD End Table
(291)



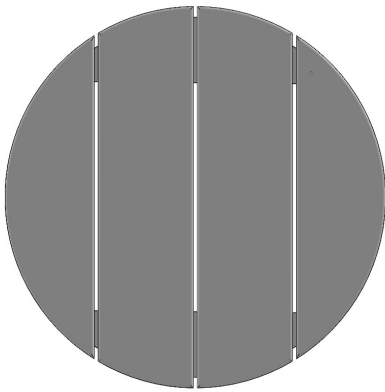
ASSEMBLY INSTRUCTIONS

1

PLEASE READ INSTRUCTIONS COMPLETELY BEFORE BEGINNING.
Carefully remove contents from box. Make sure that all parts and hardware are included using the Parts List below.

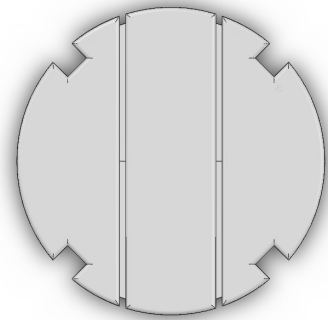
Tools Required: #2 Phillips Head Screwdriver

Top Assembly



x 1

Shelf Assembly



x 1

Leg Assembly 1



x 1

Leg Assembly 2



x 2

1-3/4" Phillips Head Screw

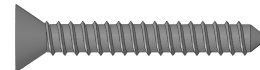
Actual Size



Part Code: 316-8X1-3/4PFDS x 4

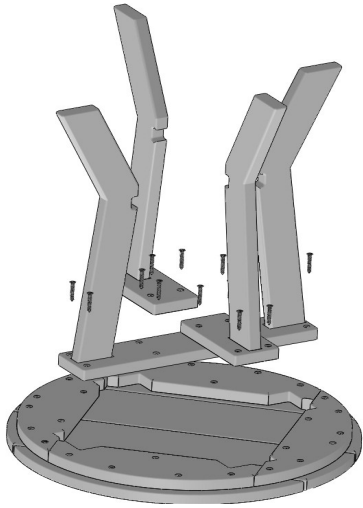
1-1/4" Phillips Head Screw

Actual Size

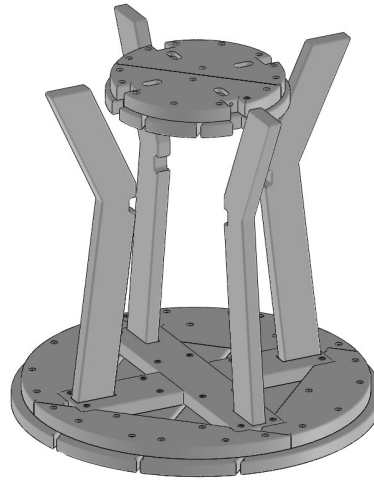


Part Code: 316-8X1-1/4PFDS x 16

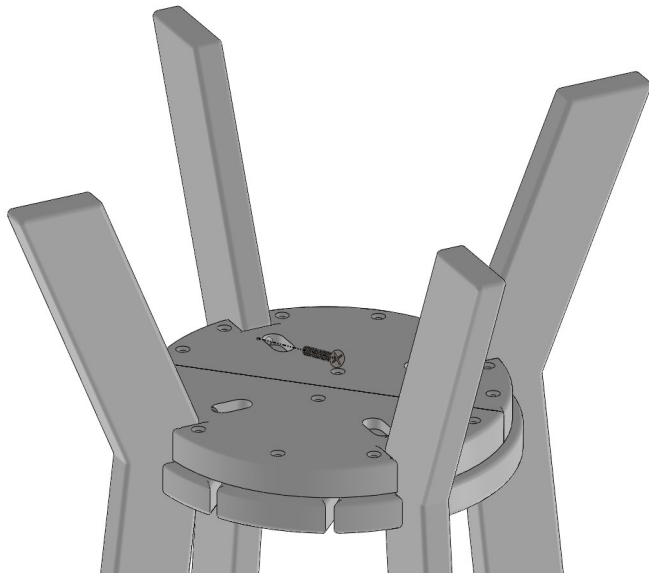
WARRANTY QUESTIONS OR COMMENTS PLEASE CALL TOLL FREE AT 1-800-809-3114

2**ATTACH LEG ASSEMBLIES TO TABLE TOP**

Align Legs to table top as shown with the angles pointing outward, and notches facing inward. Secure using (16) 1-1/4" Phillips Head Screws.

3**ATTACH LOWER SHELF**

Align the notches in the Shelf with the Legs. Slide down until the notches in the Shelf lock in with the notches in the legs. Be sure to align the slats in the shelf with the slats in the top.

4**SECURE LOWER SHELF TO LEGS**

Secure Lower Shelf to Legs using (4) 1-3/4" Phillips Head Screws thru holes in shelf into legs.