

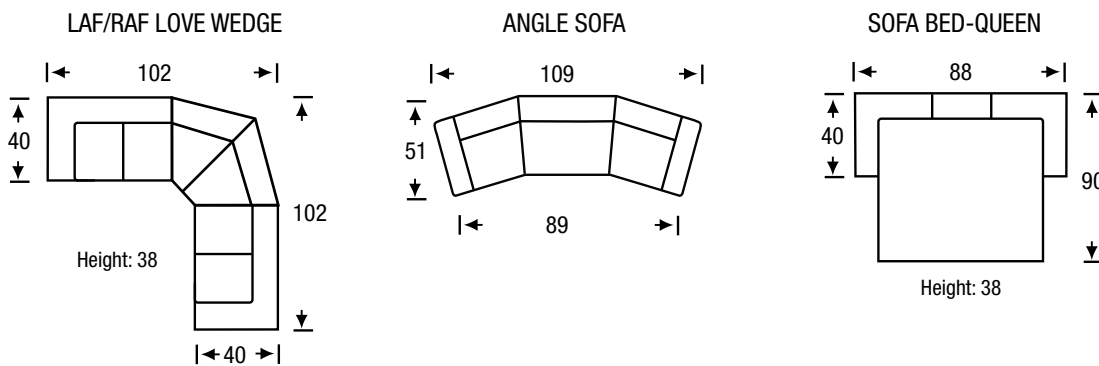
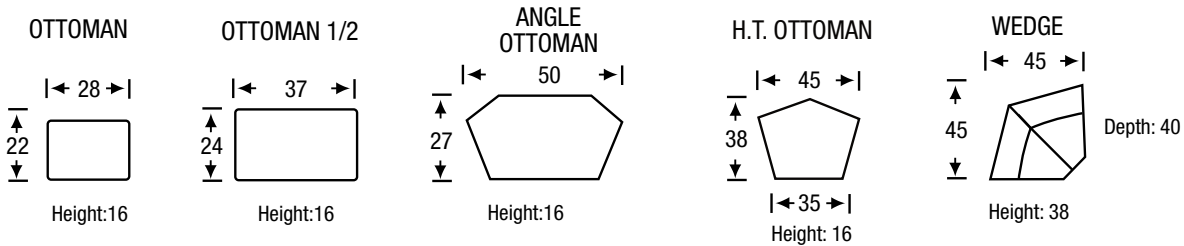
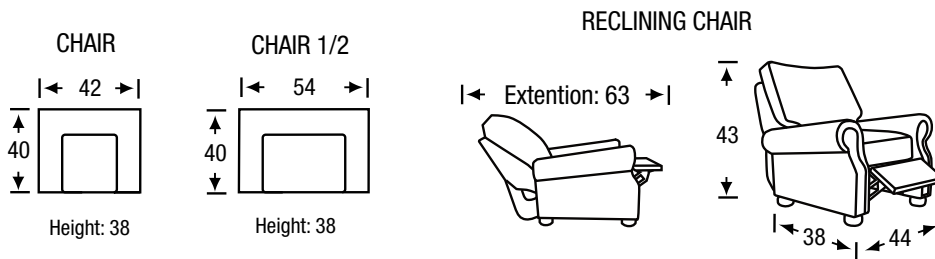
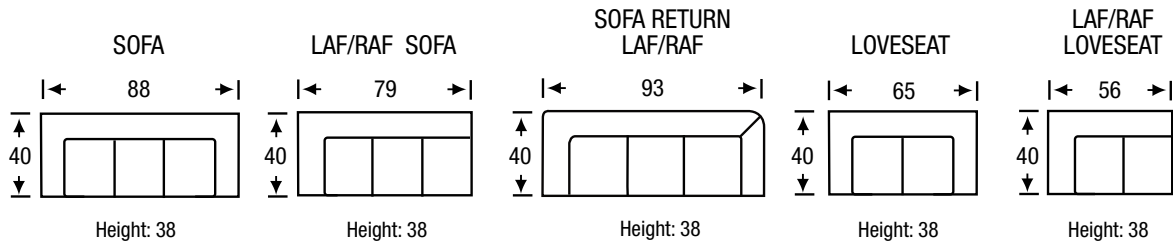
*Legacy*  
LEATHER

# Cozy Collection



*Furniture design in the light of innovation*

# Cozy



8-Way hand tied Spring Construction

The hallmark in luxury seating. Limited lifetime warranty.

All measurements are approximate, sizes may vary



The Campio Group Fine Leather Furniture  
 180 New Huntington Rd., Unit 2,  
 Woodbridge, ON, L4H 0P5  
 Tel: 905.850.6636 • Fax: 905.850.6640

[campio-group.com](http://campio-group.com)

|             |    |
|-------------|----|
| Seat Depth  | 21 |
| Seat Height | 19 |
| Arm Height  | 26 |

Printed in Canada