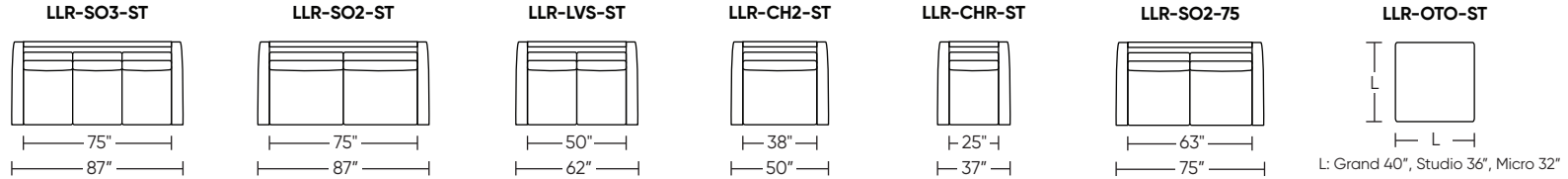


Frame Options:

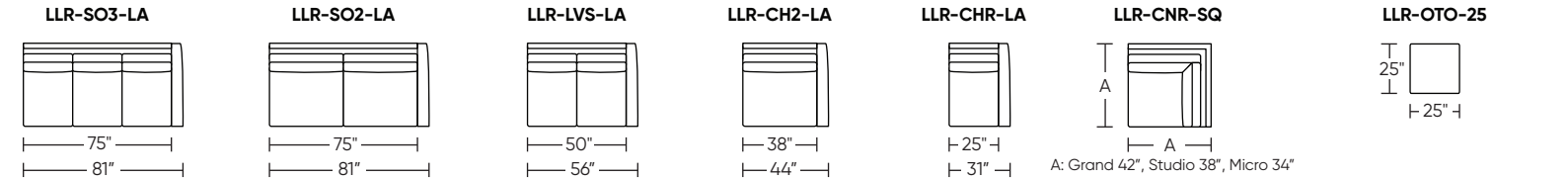
► Upholstered (No skirt):

- **Grand - 42"**
 - Multi-Cushion
 - Bench Cushion
- **Studio - 38"**
 - Multi-Cushion
 - Bench Cushion
- **Micro - 34"**
 - Multi-Cushion
 - Bench Cushion



► Skirted (Upcharge):

- **Grand - 42"**
 - Multi-Cushion
 - Bench Cushion
- **Studio - 38"**
 - Multi-Cushion
 - Bench Cushion
- **Micro - 34"**
 - Multi-Cushion
 - Bench Cushion



Options:

Back & Seat Cushions:

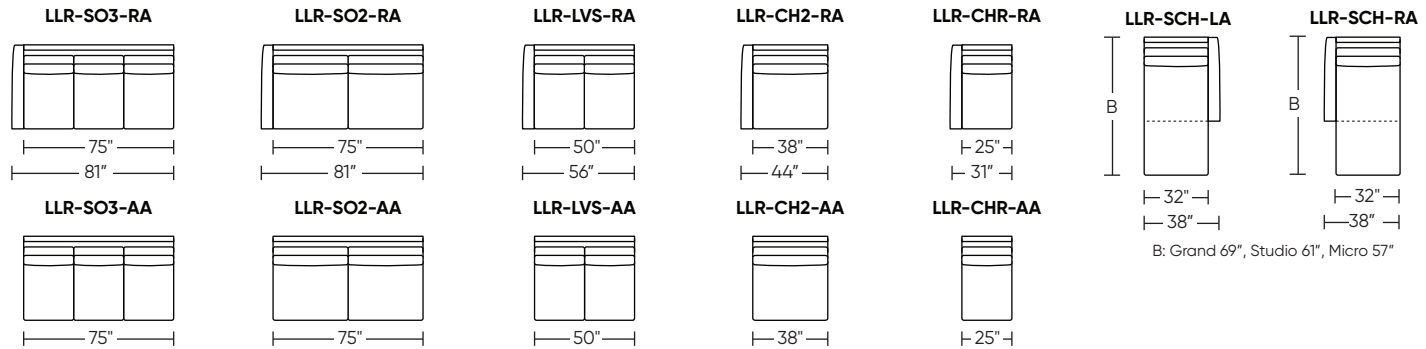
- **Foam**
- **Down (Upcharge)**
- **Trillium (Upcharge)**

Back Cushions:

- **Standard**
- **Tall (+3")**

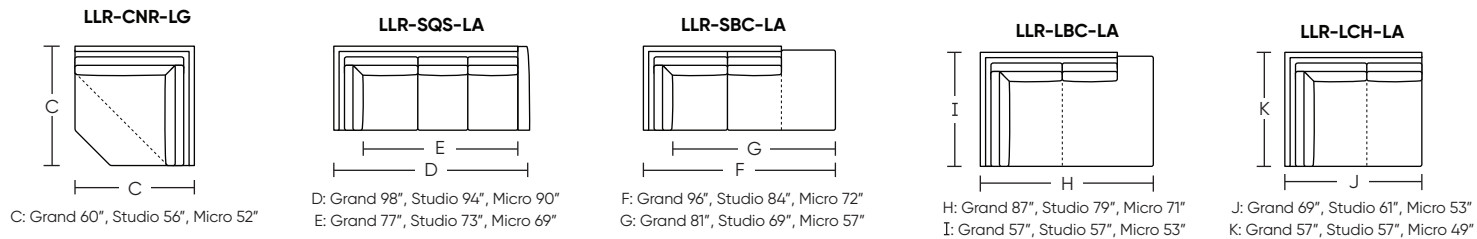
High Leg available with:

- **Wood Leg**
 - Dune
 - Ebony
 - Mink
 - Oiled Ash
 - Natural Walnut
- **Metal Leg**
 - Antique Brass
 - Burnished Bronze
 - Polished Nickel



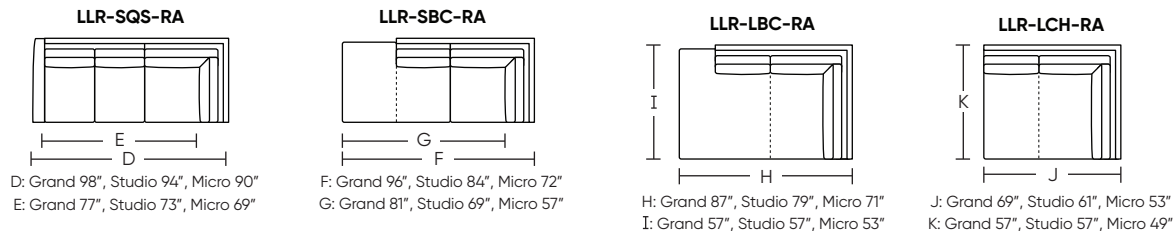
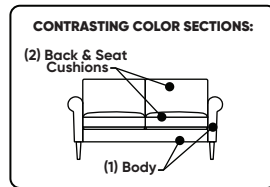
Standard Features:

Advanced unidirectional suspension system
Foam: Premium high-density, high-resiliency foam seat cushions with fiber filled back cushions
 Loose back and seat cushions
 Single-needle top-stitch
 Limited lifetime warranty on frame and suspension
 Quick-ship delivery



Construction Notes:

Down: Premium high-density, high-resiliency foam seat cushions encased in down with down-blend filled back cushions
Trillium: Premium high-density, high-resiliency foam seat cushions encased in Trillium with Trillium filled back cushions
 Contrasting seat and back cushions (two-tone) available

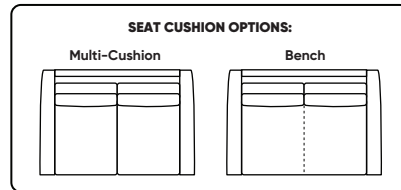
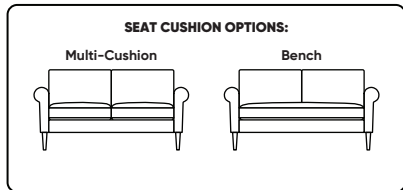
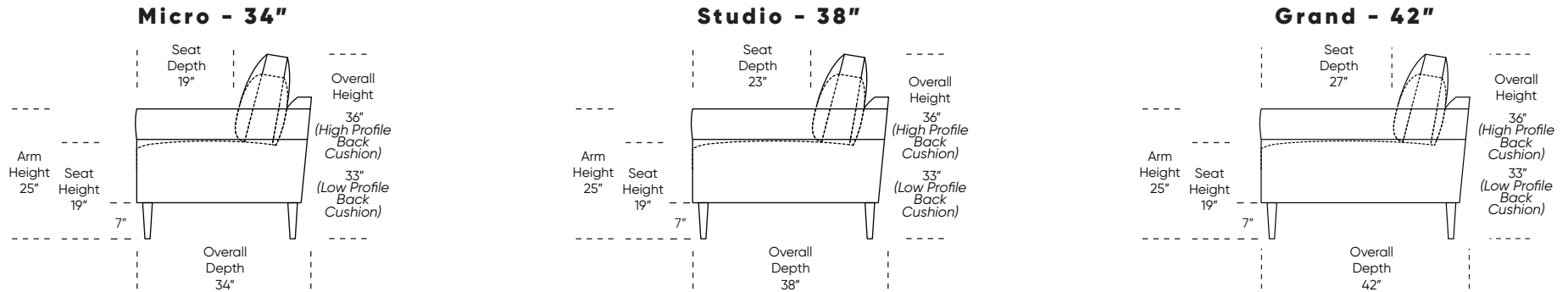


Note: Dotted line indicates seam on leather, Ultrasuede® and up the roll fabrics. Seams are eliminated with railroaded fabrics, except on chaise (SCH, LCH) to maintain consistent nap direction across the entire sectional.

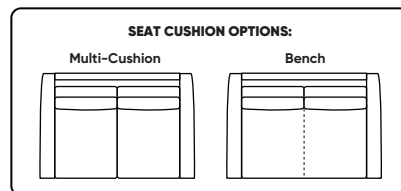
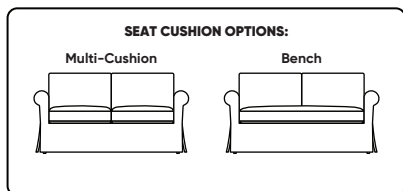
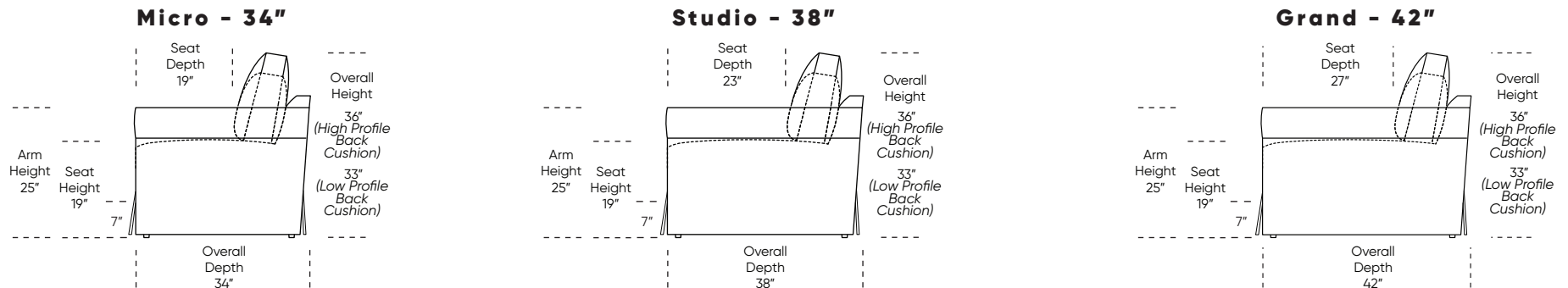
Please use actual leather, fabric, Crypton®, Sunbrella® and Ultrasuede® swatches when specifying furniture as the colors shown may vary due to the printing process.

Scale: 1/8 inch = 1 foot
 All dimensions are approximate and subject to change.
 Specify components from the sitting position.

UPHOLSTERED (NO SKIRT):



SKIRTED:



Note: Skirted version includes a concealed leg in Stained Walnut finish (not available as an option on non-skirted styles).

Note: Dotted line indicates seam on leather, Ultrasuede® and up the roll fabrics. Seams are eliminated with railroaded fabrics, except on chaise (SCH, LCH) to maintain consistent nap direction across the entire sectional.